



PRELIMINARY SPECIFICATIONS

CBA9050

3-WAY 90° x 50° MID-HIGH HORN SYSTEM

APPLICATIONS:

- Stadiums
- Arenas
- Music Pavilions
- Large Public Gatherings

FEATURES:

- Short Throw High Output
- High Sensitivity and Efficiency
- Low Distortion at Maximum Output
- Tight Pattern Control
- Advanced Technology Drivers

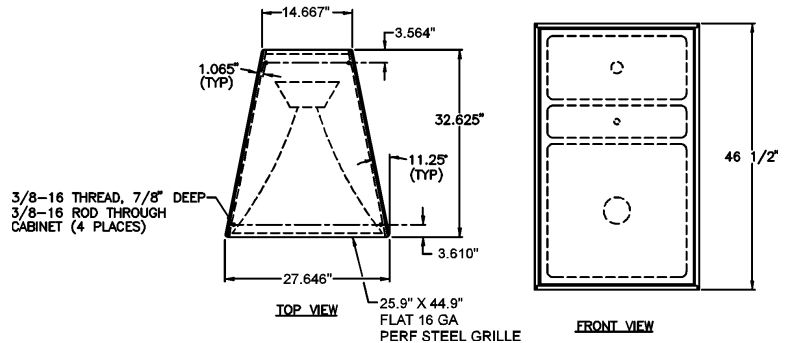
DESCRIPTION

The CBA9050 is a triamplified, high power horn-loaded system designed for short throw applications in arenas, stadiums, and other large scale venues. The system is capable of extremely high output levels with superb clarity and transient accuracy. Mathematically correct horn loading for all drivers focuses the system's output in a 90 x 50 degree pattern over its entire bandwidth, maximizing efficiency throughout the operating range.

The CBA9050 is based around the powerful 4 in. M4 midrange driver for seamless coverage of the midrange from 300 Hz to 1.5 kHz. Response above the M4 is provided by a 2.8in. EM282 driver operating from 1.5 kHz to 7 kHz. The M4 and EM282 have carbon fiber diaphragms for superior internal damping, high stiffness-to-mass ratios and minimal mechanical failures. Frequencies above 7 kHz are reproduced by a 1in. VHF100 driver with a tough mylar diaphragm and a patent pending suspensionless design that extends its response to beyond 18 kHz before the first diaphragm breakup mode. Low compression ratio driver designs dramatically reduce system distortion caused by air nonlinearities from high compression ratios. All drivers are designed and manufactured by Community to provide consistent quality, tight tolerances and high reliability. The unique combination of high efficiency, high power handling, and low distortion provide unprecedented, clean sound pressure levels from a single loudspeaker system.

The CBA9050's trapezoidal enclosure is made from high quality 13-ply Baltic Birch with high strength provided by robust internal bracing. The one-piece integral fiberglass horn baffle provides an extremely strong non-resonant structural mounting as well as optimum horn loading for each the driver. Four 3/8"-16 rigging points are provided on the top and bottom of the enclosure, internally inter-connected top to bottom with steel rods. A removable rear panel allows easy access to the drivers for testing or repair.

Proper application of the loudspeaker requires a 3-way electronic crossover and driver alignment signal delay along with appropriate equalization. Community's DSC42 Digital System Controller is ideally suited to provide these functions. The DSC42 can also provide the full 4-way configuration required when the CBA9050 is used with the matching CBS315 bass horn system.



PRELIMINARY SPECIFICATIONS (5/97)

Loudspeaker Type: Three-way, Mid-High System

Frequency Response: 300 Hz - 18 kHz

Power Handling:

MF 200W RMS / 500W Program

HF 160W RMS / 400W Program

VHF 20W RMS / 50W Program

Sensitivity (1 Watt / 1 Meter): 108 dB SPL

Nominal Dispersion: 90° H x 50° V

Nominal Impedance:

MF 8 Ohms

HF 8 Ohms

VHF 8 Ohms

Crossover Frequencies: 300 Hz / 1.8 kHz / 7 kHz

Compression Drivers (Ferrofluid-cooled):

One 4 in / 102 mm M4

One 2.8 in / 71 mm EM282

One 1 in / 25 mm VHF100

Input Connectors: Neutrik Speakon NL8

Enclosure Material:

3/4", 13-ply void free, black painted Baltic birch plywood

16 Gauge perforated steel grille

Dimensions:

Height: 46.5 inches (1181 mm)

Front Width: 27.5 inches (699 mm)

Rear Width: 14.7 inches (373 mm)

Depth: 32.6 inches (828 mm)

Weight: 222 lbs. (100.7 kg.)