



## SPECIFICATIONS

<b>Loudspeaker Type:</b>	Two-way, full-range, ceiling loudspeaker system, 16 ohm or 70V/100V operation
<b>Operating Range:</b>	60 Hz to 20 kHz 90 Hz to 16 kHz (±5 dB)
<b>Max Input Ratings (16 ohm):</b>	60W continuous, 140W program 31 volts RMS, 67 volts momentary peak
<b>Transformer Taps (70V/100V):</b>	Transformer taps at 60W, 30W, 15W, 7.5W with 70V/100V input
<b>Recommended Power Amplifier:</b>	110W to 170W @ 16 ohms
<b>Sensitivity (1W/1m):</b>	91 dB SPL (100 Hz to 16 kHz 1/3 octave bands) 90 dB SPL (250 Hz to 4 kHz speech range)
<b>Maximum Output:</b>	109 dB SPL / 115 dB SPL (peak 16 ohm)
<b>Nominal Impedance:</b>	16 ohms
<b>Minimum Impedance:</b>	5.9 ohms @ 5.1 kHz
<b>Nominal -6dB Beamwidth:</b>	120° conical
<b>Axial Q / DI:</b>	4.2 / 6.2, 500 Hz to 2 kHz
<b>Crossover Frequency:</b>	2 kHz
<b>Recommended Signal Processing:</b>	80 Hz high pass filter
<b>Drivers:</b>	LF (1) 6" cast aluminum HF (1) ¾" aluminum
<b>Driver Protection:</b>	None
<b>Input Connection:</b>	4-position Phoenix connector
<b>Controls:</b>	16 ohm / 70V switch
<b>Enclosure:</b>	Metal enclosure, white powder-coat paint
<b>Mounting/Rigging Provisions:</b>	4 seismic clips 4 aluminum mounting dogs
<b>Grille:</b>	18-gauge perforated steel with removable fire retardant foam insert
<b>Required Accessories:</b>	Electronic high pass filter
<b>Supplied Accessories:</b>	Loudspeaker grille, input plate, plug-in termination connector, T-bars (2), split ring support, paint protector
<b>Optional Accessories:</b>	MRC6 mud ring (rough in plate) C6IP input cover plate CU-CUTTER speed saw / circle cutter
<b>Dimensions—Bezel Diameter:</b>	9.860 inches (250.5 mm)
<b>Can Depth:</b>	7.625 inches (193.7 mm)
<b>Cutout Diameter:</b>	8.75 inches (222.3 mm)
<b>Weight:</b>	8.2 lbs (3.7 kg) - per single loudspeaker
<b>Shipping Weight:</b>	25 lbs (11.3 kg) - per pair

### NOTES:

- Sensitivity: Free field pink noise measurement at 8 ft (2.4 m) at 25% power; extrapolated to 1 meter and an input of 4 volts RMS.
- Watts: All wattage figures are calculated using the rated nominal impedance.



Shown: CLOUD6 with grille removed

## APPLICATIONS

- Convention centers, exhibit halls
- Corporate training rooms, ballrooms
- Swimming pools, cruise ships
- Athletic venues, sports facilities, health clubs
- Houses of worship, malls, airports

## FEATURES

- All metallic enclosures (no plastic)
- Aluminum cones and diaphragms
- Selectable 70V / 16 ohm operation
- Transformer bypass
- Fast and easy installation
- Air Gap Technology (AGT)
- Smooth, uniform frequency response
- Five-year warranty

## DESCRIPTION

Designed for optimum performance and consistent coverage with minimal diameter, the CLOUD6 uses a coaxial drive unit design and bass-reflex loading. A 6" cast aluminium frame mid/bass unit is coupled to a ¾-inch aluminium HF unit via a high-grade crossover. The CLOUD6 employs Air Gap Technology (AGT) cooling for increased long-term high output and reduced power compression. It has a nominal dispersion of 120 degrees conical and the integral 60W 70V/100V line transformer offers four taps and a bypass setting for low impedance (16 ohm) applications.

Unlike typical plastic ceiling loudspeaker designs, Community has opted for a robust all-metal construction, including the backcan, mounting clamps, bezel and grille. Wiring terminations are enclosed in a separate rear compartment with cover plate, provided with a phoenix termination and cable restraint. Flush mounting is simple and the entire installation can be performed from below the ceiling. Using the split-ring provided, the loudspeaker is simply pushed up into the mounting hole and secured with three machine screws located under the grille, which secure the die cast aluminum clamps. When flush mounting is not an option, each loudspeaker also has three hanging points for flying, in which event the white powdercoated backcan aesthetically matches the bezel and grille.

CLOUD6 ceiling loudspeakers are supplied in pairs, complete with two input plates, two input connectors, four T-bars, two split-ring supports and two paint protectors.

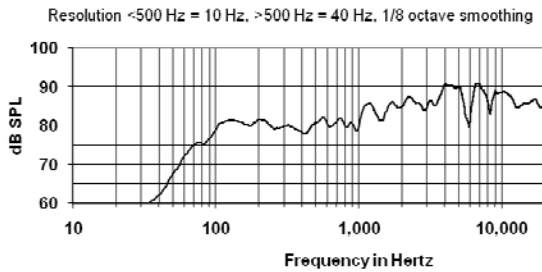


True to Specification

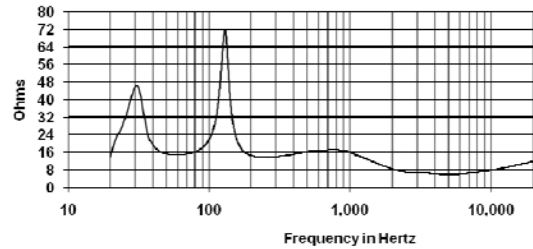
# CLOUD6

TWO-WAY 6" HIGH OUTPUT CEILING LOUDSPEAKER SYSTEM  
16 OHM OR 70V/100V OPERATION

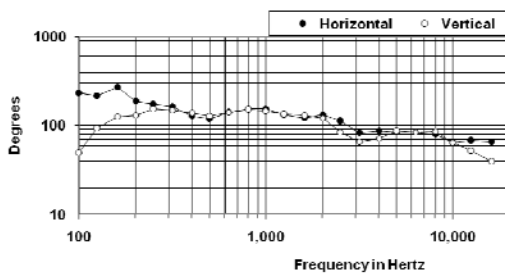
## FREQUENCY RESPONSE



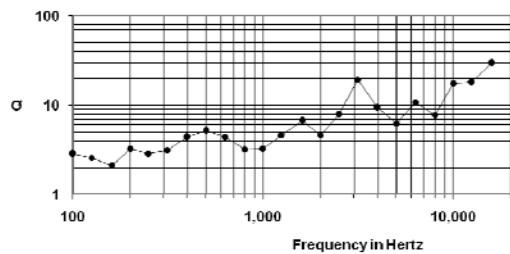
## IMPEDANCE



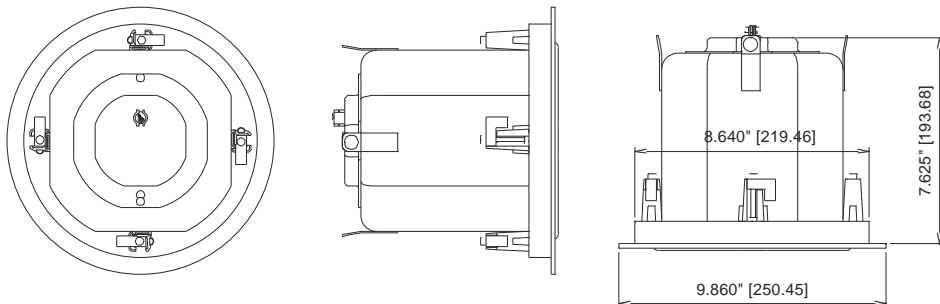
## BEAMWIDTH



## AXIAL Q



## DIMENSIONS



Shown: CLOUD6 with grille and backcan

**Note:** Cutout diameter is 8.75 inches (222.3 mm)

## ACCESSORIES



Input Cover Plate  
C6IP  
(sold separately)



Circle Cutter  
CU-CUTTER  
(sold separately)



Mud Ring Rough-In Plate  
MRC6  
(sold separately)



T-Bars with Split  
Ring Support  
(included)

Community strives to improve its products on a continual basis. Specifications are therefore subject to change without notice.