



CSX28-S2

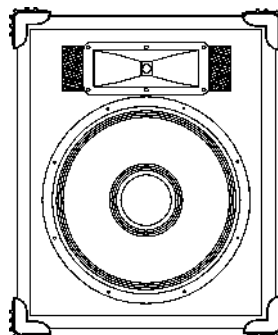
TWO-WAY CARPETED STAGE MONITOR SYSTEM

APPLICATIONS:

- Concerts
- Theatres
- Clubs
- Houses of Worship
- Touring
- Entertainment

FEATURES:

- High Output
- Ultra-Compact Low-profile Enclosure
- Powersense™ Dynamic Driver Protection
- Black Carpet Exterior



DESCRIPTION

The CSX28-S2 is a high output, super-compact, two-way stage monitor system. The system utilizes one PZT high frequency driver coupled to an exponential horn and one 12" woofer for high sensitivity and excellent power handling capability. These components are matched to an extremely low-profile enclosure of an optimally tuned, direct radiating, bass reflex design. The recessed handles, black carpet exterior, perforated steel grille, and injection molded corners make this system attractive, rugged and easily transportable.

The CSX28-S2 offers a robust internal PowerSense DDP (Dynamic Driver Protection) crossover. The PowerSense crossover is built to last with high quality 250V film capacitors, precisely wound inductors and military grade circuit boards. The proprietary PowerSense DDP circuit provides both over-current and thermal protection for added performance and reliability.

Designed as a high performance stage monitor, the CSX28-S2 offers the clarity and detail necessary for critical live performance use. In addition, its smooth, peak-free response provides maximum gain before feedback ensuring capability for high on-stage sound pressure levels. The compact, low-profile design makes the CSX28-S2 ideal for TV broadcast, house of worship and other applications where stage equipment must be as unobtrusive as possible, yet provide fully professional performance.

SPECIFICATIONS

Loudspeaker Type:

Two-Way, Full-Range, Stage Monitor System

Frequency Response: 70-18,000Hz

Power Handling: 100WRMS 250W Program

Recommended Amp: 200W to 300W @ 8 Ohms

Sensitivity at 1W/1M: 97.5 dB

Nominal Dispersion: 90° x 60° (HxV)

Nominal Impedance: 8 ohms

Crossover Frequency: 3,000Hz

Drivers:

One PZT on an Exponential Horn

One 12" Woofer

Speaker Protection: PowerSense DDP

Input Connections:

Dual Neutrik Speakon in parallel

Dual 1/4" phone jacks in parallel

Enclosure Material:

Black carpet covered high density particle board

16 Gauge perforated steel grille

Dimensions:

Height: 14 inches (356mm)

Width: 15 inches (381mm)

Depth: 22.25 inches (565mm)

Front Slope: 35° from Horizontal

Weight: 36 lbs. (16.3kg.)

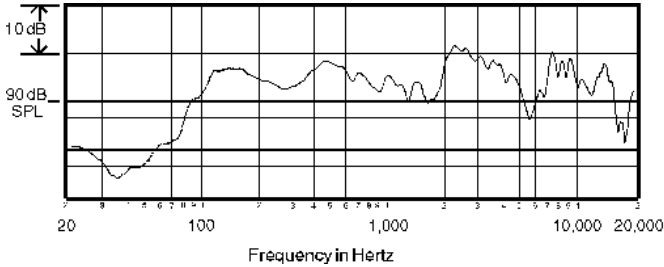
Shipping Weight: 40lbs. (18.1kg.)



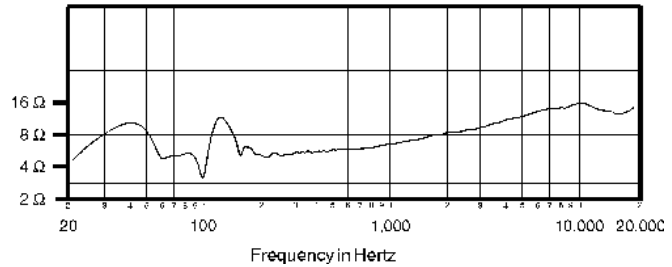
CSX 28-S2

TWO-WAY CARPETED STAGE MONITOR SYSTEM

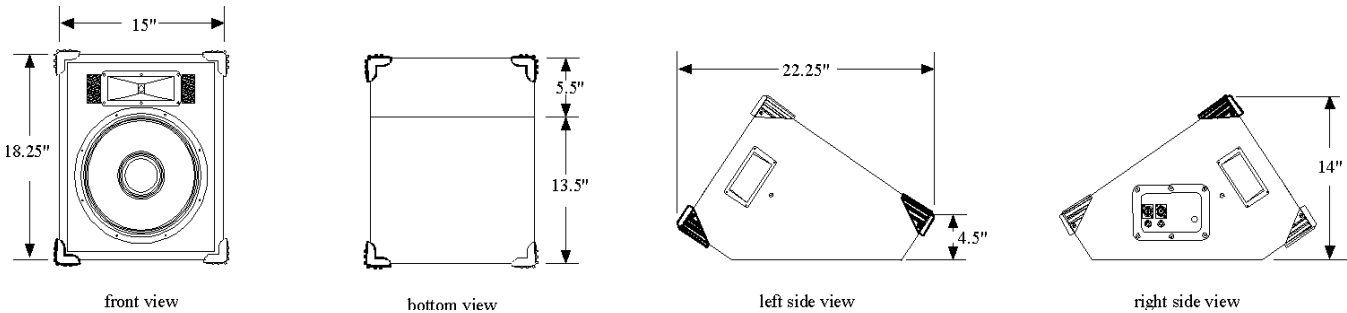
FREQUENCY RESPONSE



IMPEDANCE



DIMENSIONS



ARCHITECTS' AND ENGINEERS' SPECIFICATIONS

The loudspeaker system shall be a direct-radiating, slant-front, bass-reflex design with one 12" woofer and one PZT driver coupled to an exponential horn. All components shall be connected to an integral crossover/protector. The crossover/protector shall be a two-way design with a 12dB/octave high-pass at 3,000 Hz to the high frequency driver. The crossover shall utilize high quality 250V film capacitors, precision inductors and high positive current coefficient resistors (HPCCR's) for component protection. The loudspeaker enclosure shall have an internal volume of 0.98 cu. ft. (27.7 L) and be constructed of dense stock covered in black carpeting with four injection molded corners and two built-in handles. The system shall meet the following performance criteria: Amplitude response of 70 Hz to 18,000 Hz +/- 5 dB, 100W RMS power handling, 97.5 dB sensitivity at one meter with one watt applied. Coverage pattern shall be 90° x 60° (HxV). Dimensions shall be 14" (356 mm) H x 15" (381 mm) W x 22.25" (565 mm) D with a front slope of 35° from horizontal. The system impedance shall be 8 ohms nominal. It shall weigh 31.5 lb. (14.3 kg.).

LIMITED WARRANTY

Community CSX-S2 Loudspeakers are guaranteed to be free from defects in materials and workmanship from the original date of sale for a period of ten years in the USA and a period of five years worldwide. Since the warranty applies to the product, the remainder of the warranty period will be automatically transferred to any subsequent owner.

Only failures caused by defects in materials and workmanship are covered, not failures caused by abuse, accident, modification, improper handling/installation, or repairs made without factory authorization or by other than an authorized Community Field Service Station. Products covered by this warranty will be repaired or replaced at the option of Community, without charge for materials or labor, provided all the terms of this warranty have been met.

This statement is a condensed version of the Community Product Warranty, intended for quick reference only. For complete warranty information, consult the product owners manual or call (610) 876-3400 for a copy.

Specifications subject to change without notice.

CSX28-S2 Page 2 of 2

COMMUNITY PROFESSIONAL LOUDSPEAKERS

333 East Fifth Street Chester, PA 19013-4511 USA Phone (610) 876-3400 Fax (610) 874-0190

CS28-991020