



# CSX57-S2

THREE-WAY CARPETED LOUDSPEAKER SYSTEM

## APPLICATIONS:

- Theatres
- Clubs
- Houses of Worship
- Entertainment

## FEATURES:

- High sensitivity, low distortion
- PowerSense™ Dynamic Driver Protection
- Black carpeted exterior

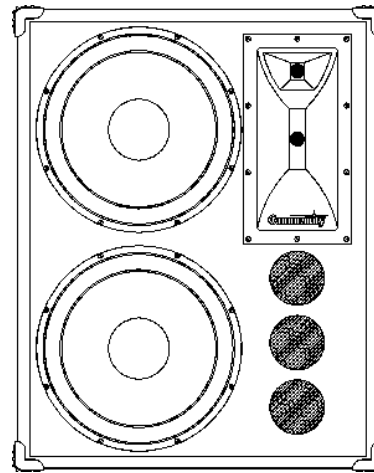
## DESCRIPTION

The CSX57-S2™ is a rugged, high-sensitivity, three-way, full-range loudspeaker system. The system utilizes one PZT very high-frequency driver coupled to a Pattern Control horn, one 1" mid/high frequency compression driver mounted to a Pattern Control horn and two Ferrofluid-cooled 15" woofers for high sensitivity and excellent power handling capability. These components are matched to an optimally tuned direct radiating bass-reflex enclosure. The integral handles, black carpeted exterior and injection molded corners make this system attractive, rugged and easily transportable.

The CSX57-S2 offers a robust internal PowerSense Dynamic Driver Protection crossover. The CSX-S2 PowerSense crossover is built with high quality 250V film capacitors, inductors and military-grade circuit boards. The proprietary PowerSense DDP protection circuit provides both over-current and thermal protection without old fashioned fuses for added performance and reliability.

Designed as a stand-alone full-range loudspeaker system, the CSX57-S2 offers substantial low-frequency output. For more demanding applications, extended bass can be achieved by adding a CSX-S2 subwoofer.

Mounting is easily accomplished utilizing the threaded inserts provided and optional mounting kits. This product should never be suspended by its handles.



## SPECIFICATIONS

### Loudspeaker Type:

Three-Way, Full Range Bass Reflex System

**Frequency Response:** 40 Hz to 18 kHz

**Power Handling:** 300W RMS  
750W Program

**Recommended Amp:** 600W to 925W @ 4 Ohms

**Sensitivity at 1W/1M:** 102 dB SPL

**Nominal Dispersion:** 90° Horizontal, 50° Vertical

**Nominal Impedance:** 4 ohms

**Crossover Frequencies:** 1800 Hz and 10 kHz

### Drivers:

- One PZT VHF on pattern control horn
- One 1" MF/HF compression driver on pattern control horn
- Two 15" woofers, Ferrofluid-cooled

**Speaker Protection:** PowerSense DDP

### Input Connections:

- Dual Neutrik Speakon in Parallel
- Dual 1/4 Phone Jacks in Parallel

### Enclosure Material:

- Black carpet covered high density particle board
- 16 Gauge perforated steel grille

### Dimensions:

- Height: 33.5 inches (851 mm.)
- Width: 26.75 inches (679 mm.)
- Depth: 18 inches (457 mm.)

**Weight:** 116 lbs. (52.6 kg.)

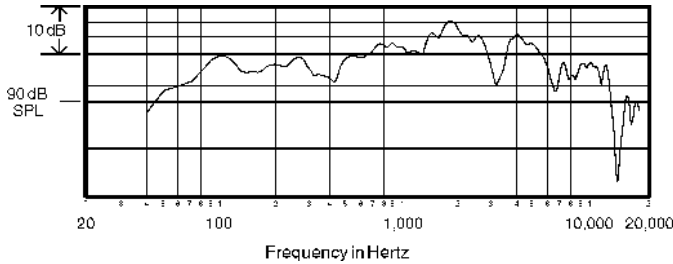
**Shipping Weight:** 122 lbs. (55.3 kg.)



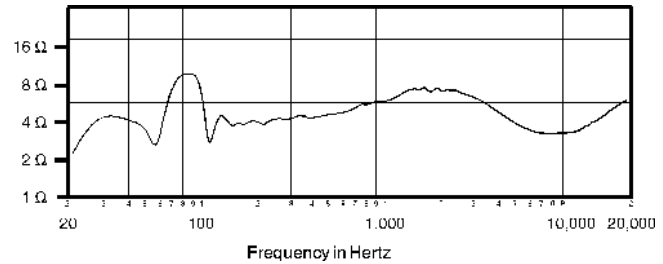
# CSX57-S2

THREE-WAY CARPETED LOUDSPEAKER SYSTEM

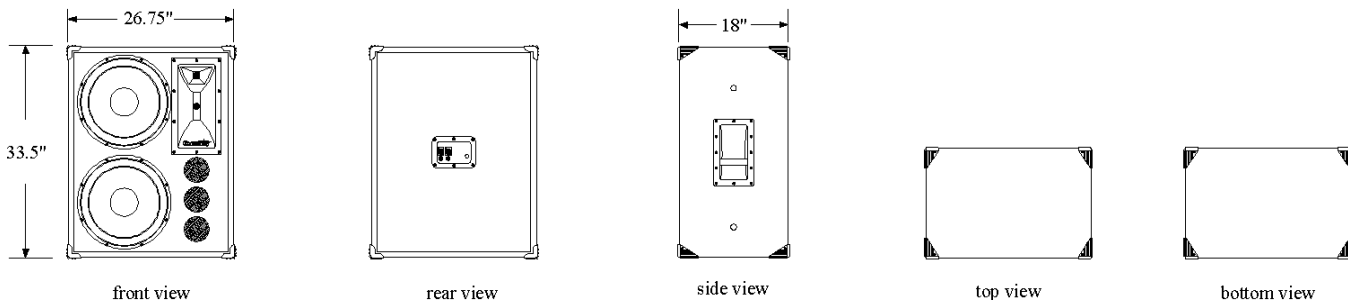
## FREQUENCY RESPONSE



## IMPEDANCE



## DIMENSIONS



## ARCHITECTS' AND ENGINEERS' SPECIFICATIONS

The loudspeaker system shall be a direct-radiating, bass-reflex design with two Ferrofluid-cooled 15" woofers, one 1" mid/high frequency compression driver coupled to a Pattern Control horn and one PZT very high frequency driver coupled to a Pattern Control horn. All components shall be connected to an integral crossover/protector. The crossover/protector shall be a three-way design with 12 dB/octave low pass at 1,800 kHz to the woofer, 12 dB/octave band pass from 1,800 Hz to 10 kHz to the midrange and 12 dB/octave high-pass at 10 kHz to the high-frequency driver. The crossover shall utilize high quality 250 V film capacitors, inductors and high positive current coefficient resistors (HPCCR's) for component protection. The loudspeaker enclosure shall have an internal volume of 7 cu. ft. (198.6 l) and be constructed of dense, well braced stock covered in black carpet. The system shall meet the following performance criteria: Amplitude response of 40 Hz to 18,000 Hz +/- 5 dB, 300W RMS power handling, 102 dB sensitivity at 1 meter with one watt applied. Coverage pattern shall be 90° x 50° (HxV). Dimensions shall be 33.5" (851 mm) high, 26.75" (679 mm) wide, 18" (457 mm) deep, and weigh 116 lbs. (52.6 mm).

## LIMITED WARRANTY

Community CSX-S2 Loudspeakers are guaranteed to be free from defects in materials and workmanship from the original date of sale for a period of ten years in the USA and a period of five years worldwide. Since the warranty applies to the product, the remainder of the warranty period will be automatically transferred to any subsequent owner.

Only failures caused by defects in materials and workmanship are covered, not failures caused by abuse, accident, modification, improper handling/installation, or repairs made without factory authorization or by other than an authorized Community Field Service Station. Products covered by this warranty will be repaired or replaced at the option of Community, without charge for materials or labor, provided all the terms of this warranty have been met.

This statement is a condensed version of the Community Product Warranty, intended for quick reference only. For complete warranty information, consult the product owners manual or call (610) 876-3400 for a copy.