



## APPLICATIONS

- Convention centers, exhibit halls
- Corporate training rooms, ballrooms
- Athletic venues, sports facilities, health clubs
- Houses of worship
- Malls, airports

The flagship model of the D SERIES, the **D10** exceeds the performance of competing “high-ceiling” models. The D10 provides high-level foreground music, loud-and-clear paging (even in noisy environments), and readily supports large systems in sports facilities, clubs, or concert venues for delay and zone fill. Characterized by powerful, musical performance and superb speech intelligibility, the D10 represents a significant change in the ceiling speaker market segment.

D10's can readily be combined with smaller members of the Distributed Design family due to Community's uniform voicing technology, providing additional power and LF response in areas that require it. True coaxial design uses separate magnets for the LF and HF drivers for reduced distortion and industry-leading sensitivity permitting 3 dB to 6 dB greater output level, while requiring half the amplification power of competing products.

The proprietary **Tru-Phase**<sup>™</sup> waveguide and perfectly centered driver produce a consistently wide conical polar response up to 16 kHz. Community's patented **Carbon Ring Cone Technology**<sup>™</sup> increases the effective cone area to further reduce distortion while reinforcing the cone for improved durability.

Exclusive **Drop-Stop**<sup>™</sup> and **Twist-Assist**<sup>™</sup> tabs allow single-handed placement to speed installation and reduce labor time. Drop-Stop's spring-loaded legs support the back can on the included tile rails and snap-on C-ring, so that the installer no longer needs to hold the can against the tile while tightening the clamps. Twist-Assist performs a similar function for the baffle assembly: when the loudspeaker back cans are pre-installed into a conduit system for termination at a later date, a simple twist of the baffle into the back can brings the Twist-Assist clips together, supporting the baffle assembly while the installer fastens the screws.

The front-face wattage selector switch enables quick adjustment of levels, while the high-power internal autoformer permits full power output with 70V or 100V lines. A variety of installation accessories are available to accommodate different ceiling materials. The D10 face-only assembly and back can are also available for separate purchase.

## FEATURES

- High intelligibility with exceptional uniform coverage
- Consistent, wide dispersion up to 16 kHz
- True coaxial loudspeakers with HF compression drivers
- Tru-Phase<sup>™</sup> high-frequency waveguide
- Patented Carbon Ring Cone Technology<sup>™</sup>
- Spring loaded Drop-Stop<sup>™</sup> installation assistant tabs support the back can on the included rails and C-ring to simplify installation
- Uniquely designed tile bridge support rails and snap-on C-ring support plates prevent sag
- Twist-Assist<sup>™</sup> loudspeaker face retainer tabs for fast and easy installation
- ¾-inch and 1-inch knock-outs on the sides of the back can
- External loop-through Euroblock connectors
- Rear cover with integrated cable clamp (strain relief) and optional conduit knockout
- Selectable 8 ohm or 70V/100V operation
- Back can and face-only packages available
- Five year warranty

Exceptionally Even Coverage | Stunning Sound Quality | Rapid Installation



# Distributed Design

# D SERIES

# D10 TWO-WAY 10-INCH HIGH OUTPUT CEILING MOUNT LOUDSPEAKER

## Distributed Design



## SPECIFICATIONS

<b>Loudspeaker Type:</b>	Two-way, full-range, coaxial ceiling loudspeaker, 8 ohm or 70V/100V operation	
<b>Operating Range:</b>	58 Hz - 22 kHz	
<b>Frequency Response:</b>	75 Hz - 20 kHz (±5 dB)	
<b>Max Input Ratings (8 ohm):</b>	200W continuous, 500W program 40 volts RMS, 89 volts momentary peak	
<b>Transformer Taps—70V: 100V:</b>	200W, 100W, 50W, 25W and low impedance 200W, 100W, 50W	
<b>Distortion—10% Full Power:</b>	2nd Harmonic	3rd Harmonic
500 Hz	0.92%	0.88%
2 kHz	0.81%	0.30%
8 kHz	2.9%	0.04%
<b>1% Full Power:</b>	2nd Harmonic	3rd Harmonic
500 Hz	0.17%	0.71%
2 kHz	0.07%	0.16%
8 kHz	1.04%	0.01%
<b>Sensitivity (1W/1m):</b>	98 dB SPL (100 Hz to 12.5 kHz 1/3 octave bands) 97 dB SPL (250 Hz to 4 kHz speech range)	
<b>Maximum Output:</b>	121 dB SPL / 127 dB SPL (peak 8 ohm)	
<b>Nominal Impedance:</b>	8 ohms	
<b>Minimum Impedance:</b>	6.6 ohms @ 190 Hz	
<b>Nominal Coverage:</b>	88° conical (1 kHz to 6 kHz) 100° conical (500 Hz to 6 kHz)	
<b>Axial Q / DI:</b>	6.5 / 8.1, 500 Hz to 6 kHz	
<b>Crossover Frequency:</b>	1 kHz	
<b>Recommended Signal Processing:</b>	58 Hz high pass filter	
<b>Drivers:</b>	LF 1 x 10-inch HF 1 x 1.25-inch exit compression driver	
<b>Driver Protection:</b>	Self-resetting solid state circuit breaker	
<b>Input Connection:</b>	4-position Euroblock connector	
<b>Controls:</b>	Front-face wattage / low impedance selector switch	
<b>Enclosure:</b>	Corrosion-resistant zinc plated steel	
<b>Mounting/Rigging Provisions:</b>	4 steel mounting clamps with 3-inch grip range	
<b>Grille:</b>	Powder coated steel with safety line, white finish, paintable	
<b>Baffle:</b>	Reflex loaded UL 94V-0 rated ABS	
<b>Safety Features:</b>	4 x safety hang points	
<b>Safety Agency Ratings:</b>	ETL listed to comply with UL1480, UL2043 and CSA60065. Suitable for use in air handling spaces per NFPA 70 and NFPA 90.	
<b>Face-Only / Back Can Options:</b>	<b>D10-FO</b> Face-Only Assembly <b>D10-BC</b> Back Can	
<b>Required Accessories:</b>	Electronic high pass filter	
<b>Supplied Accessories:</b>	C-Ring supporting plate, tile support bridge rails, grille, paint mask, cut-out template, flat screwdriver	
<b>Optional Accessories:</b>	<b>D10-NCB</b> New Construction Bracket	
<b>Dimensions—Width:</b>	15.197 inches (386 mm) bezel diameter	
<b>Depth:</b>	9.938 inches (252.4 mm) can depth	
<b>Cutout Diameter:</b>	14.125 inches (359 mm)	
<b>Weight:</b>	23.1 lbs (10.5 kg)	

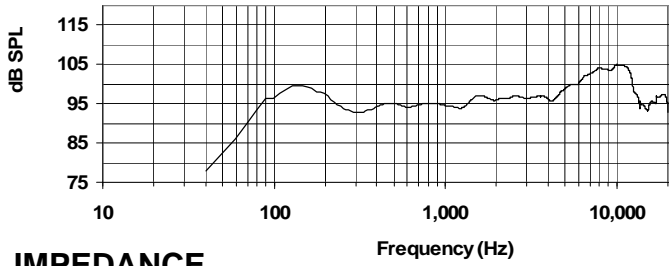
### NOTES:

1. Sensitivity: Half space pink noise measurement at 6 ft (1.8 m) at 10% power; extrapolated to 1 meter and an input of 2.83 volts RMS.
2. Watts: All wattage figures are calculated using the rated nominal impedance.
3. Frequency response and sensitivity are half-space measurements.

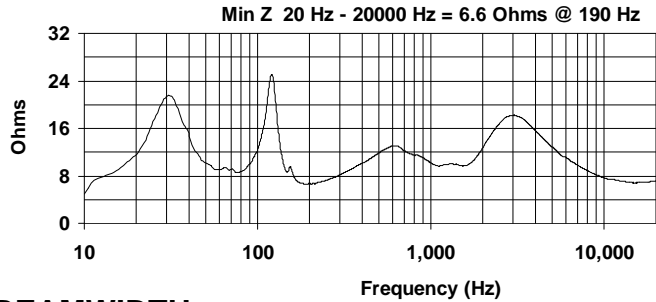
# D SERIES

# D10 TWO-WAY 10-INCH HIGH OUTPUT CEILING MOUNT LOUDSPEAKER

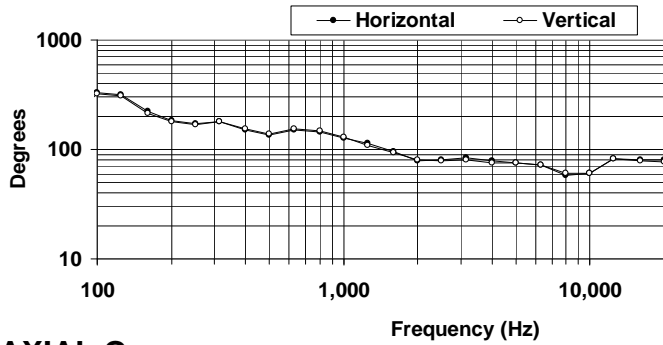
## FREQUENCY RESPONSE



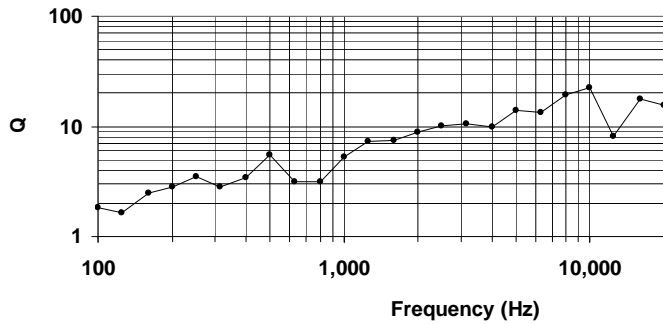
## IMPEDANCE



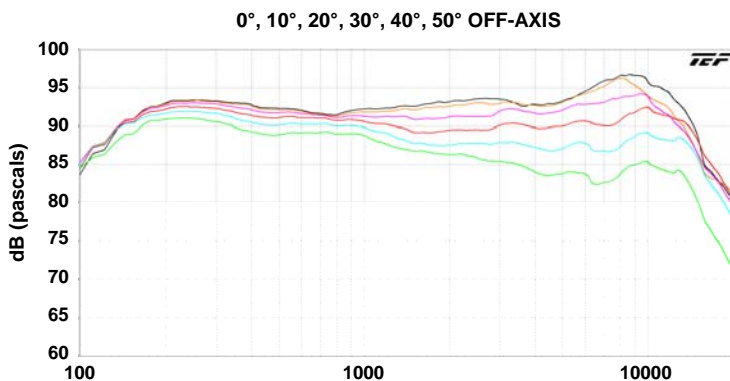
## BEAMWIDTH



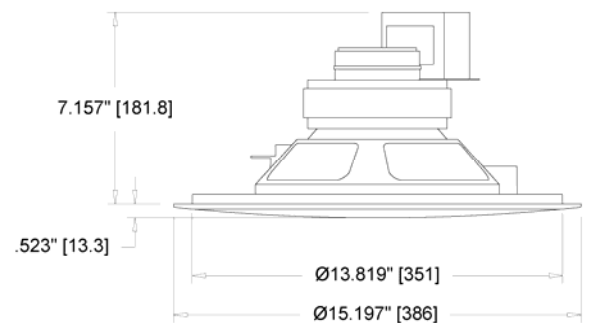
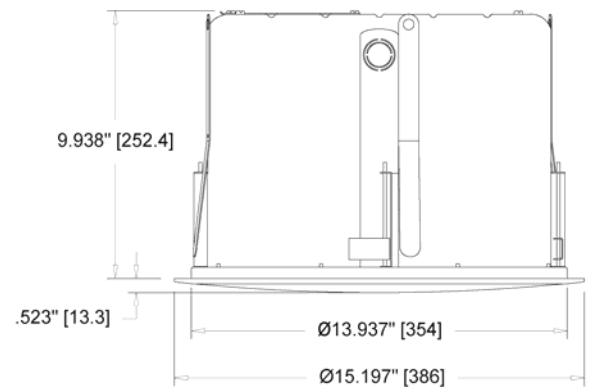
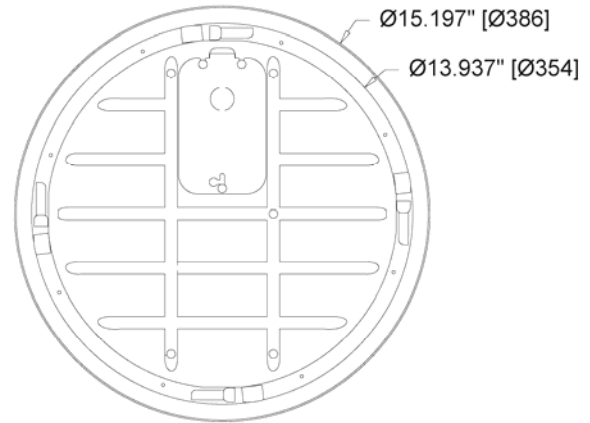
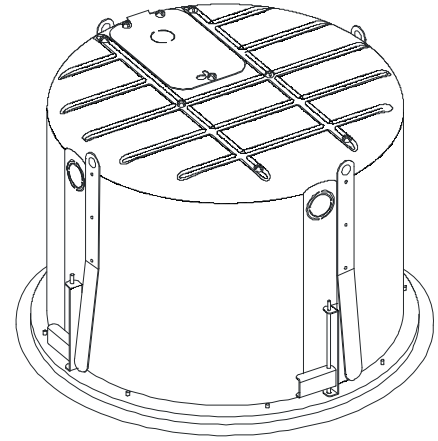
## AXIAL Q



## DISPERSION DEVIATION



## DIMENSIONAL DRAWINGS

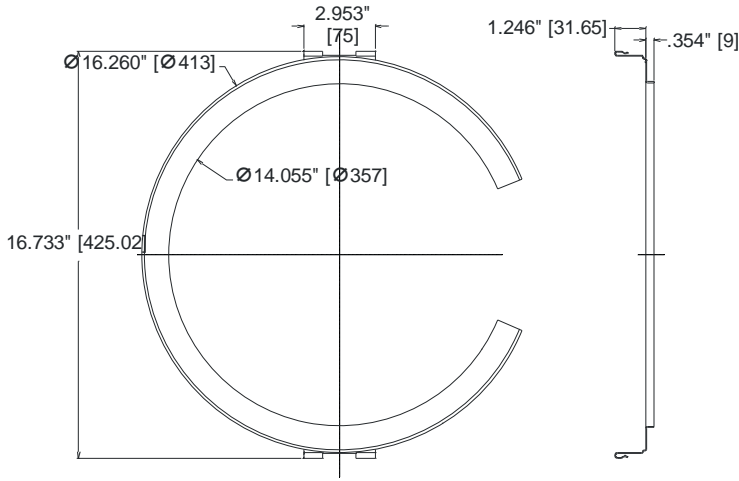


D10-FO Face-Only Assembly

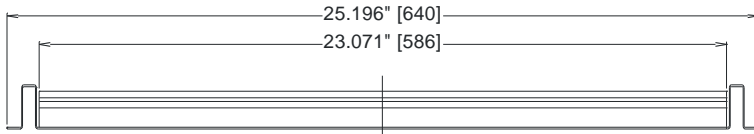
# D SERIES

# D10 TWO-WAY 10-INCH HIGH OUTPUT CEILING MOUNT LOUDSPEAKER

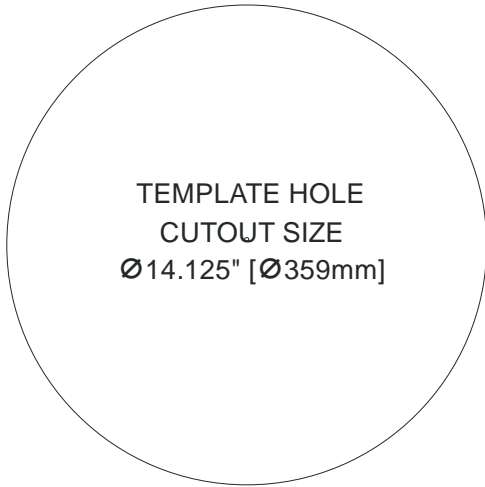
## INCLUDED ACCESSORIES



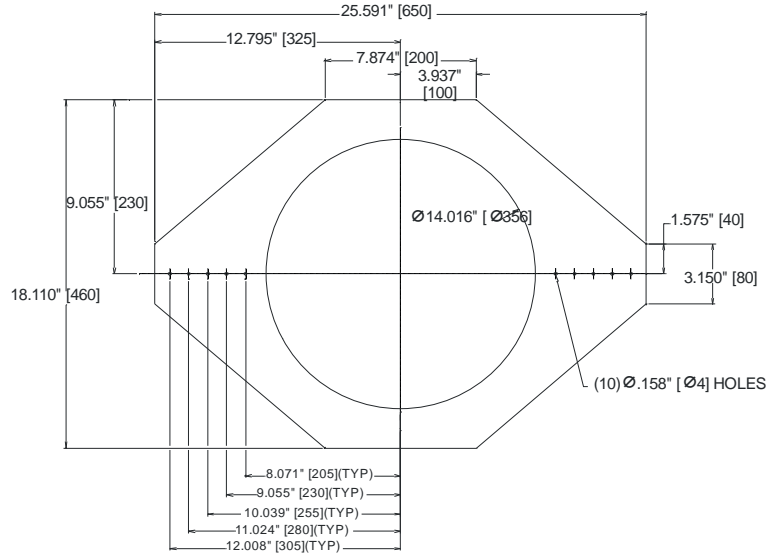
**C-RING**



**TILE BRIDGE RAILS**



## OPTIONAL ACCESSORIES



**NEW CONSTRUCTION BRACKET**

## ARCHITECTURAL SPECIFICATIONS

The loudspeaker system shall be a two-way, full-range ceiling mount system with a 10-inch low frequency transducer with patented Carbon Ring Cone Technology™ and a coaxially mounted 1.25-inch exit high frequency compression driver. The drivers shall be connected to an integral crossover with a crossover frequency of 1 kHz, with a self-resetting solid state circuit breaker for driver protection.

The loudspeaker baffle assembly (part no. D10-FO), or face-only, of the loudspeaker system shall be available without the back can for installations where the back cans are pre-installed and the loudspeaker baffle is inserted at a later date. The paintable loudspeaker baffle shall be constructed of UL 94V-0 rated ABS material and include Twist-Assist™ face retainer tabs for easy insertion into the back cans. A paintable steel grille with a durable white powder coat finish shall be included.

The back can provided with the ceiling loudspeaker system, or sold separately as part no. D10-BC, shall be constructed of corrosion-resistant zinc plated steel featuring spring loaded Drop-Stop™ installation assistant tabs. The back can shall include a recessed termination box with a removable locking connector with screw terminals for secure wire termination with "loop through" ability. Strain relief will be provided by a clamping mechanism for use with plenum rated cable or conduit.

The system shall have an amplitude response of 75 Hz to 20 kHz (+/- 5dB) and a low impedance (8 ohm) input capability of 40V RMS. The sensitivity at 1W/1m shall be 98 dB (100 Hz to 12.5 kHz, 1/3 octave bands). The loudspeaker system shall have a conical coverage pattern of 100 degrees from 500 Hz to 6 kHz. The nominal system impedance shall be 8 ohms (in low impedance setting).

The system shall be equipped with a 200W high performance autoformer for use in 70.7V or 100V distributed audio systems, with 200W, 100W, 50W and 25W taps available in 70.7V distributed systems (200W, 100W and 50W taps available in 100V distributed systems). An easily accessible front-face tap selector switch located on the front baffle, which is concealed by the supplied removable grille, shall be available for selecting autoformer and low impedance settings.

A snap-on C-Ring supporting plate and two tile support bridge rails shall be included. The loudspeaker system shall have a bezel diameter of 15.197 inches (386 mm), a can depth of 9.938 inches (252.4 mm) and weigh 23.1 lbs (10.5 kg). There shall be available an optional New Construction Bracket for installing the loudspeaker system in new construction before drywall or plaster is put into place.

The system shall be ETL listed to comply with UL1480, UL2043 and CSA60065 and suitable for use in air handling spaces per NFPA70 and NFPA90.