

E SERIES

ENTASYS

HIGH-PERFORMANCE COLUMN LINE-ARRAY SYSTEM



HARDWARE ACCESSORY GUIDE



NOTICE

The ENTASYS bracket accessories described in this guide are for illustrative purposes only. Please refer to the product's owner's manual or instruction guide for complete information.

CAUTION

Installation of loudspeakers should only be performed by trained and qualified personnel. It is strongly recommended that a licensed and certified professional structural engineer approve the mounting design.

WAIVER OF LIABILITY

Whenever Community Light and Sound, Inc. (CLS), dba Community Professional Loudspeakers is requested to provide advice or material regarding the design or installation of its equipment such advice or material is intended and provided for information purposes only. The advice or material is only intended to familiarize the user with various options for design, coverage and installation. User expressly agrees that CLS shall not be liable for any damages, whether in tort, contract, strict liability or otherwise consequential, incidental or otherwise to person or property as a result, directly or indirectly, of the use of any advice or material. The user of any advice or material provided by CLS assumes all risk and liability for the use thereof. Without limitation to the above, CLS does not accept liability or responsibility for the performance of any manufacturer, design, method, use, material or technique employed by the acoustic designer and/or installation company. All advice, information or material is subject to field variations and environmental conditions. All advice, information, or material given is offered on the assumption that common or standard practices for installation used in the construction trades is applied to all phases of the user's project. Actual assembly or configuration must be performed only by persons with knowledge of mechanical trades and rigging, where applicable. Any installation method must be certified by a Professional Engineer licensed in the state in which assembly or configuration is located.

TABLE OF CONTENTS

T-Bar Mounting Bracket



Page 4

Coupler Bracket



Page 6

Pan Bracket



Page 8

Pan-Tilt Bracket



Page 10

Fly Kit



Page 12

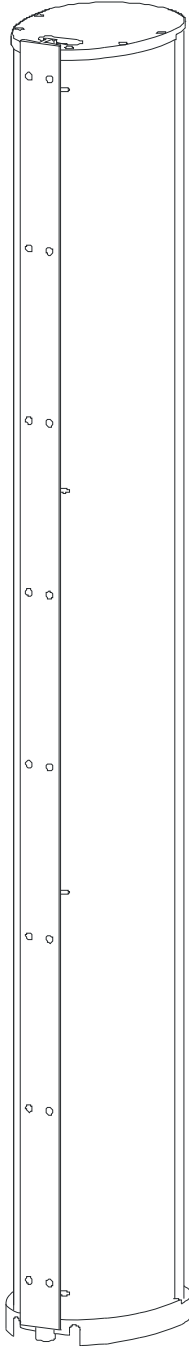
750-Watt Autoformer



Page 14

ENTASYS T-BAR MOUNTING BRACKET

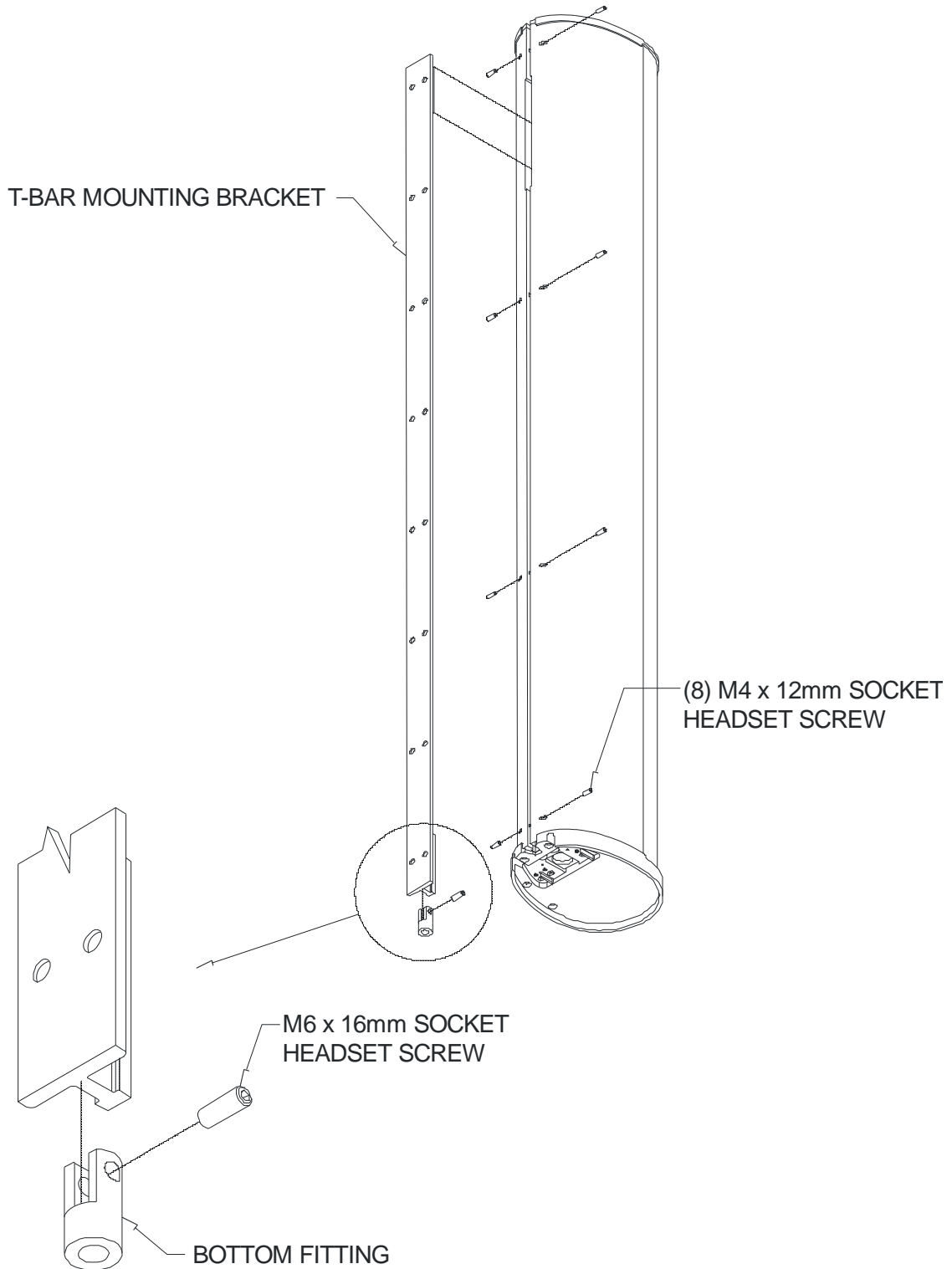
- “T” shaped mounting bracket included with each ENTASYS column
- Use to mount ENTASYS column directly to a wall surface
- Also used in conjunction with other ENTASYS bracket accessories
- Black T-Bar included with black ENTASYS columns
- White T-Bar included with white ENTASYS columns



T-Bar Mounting Bracket

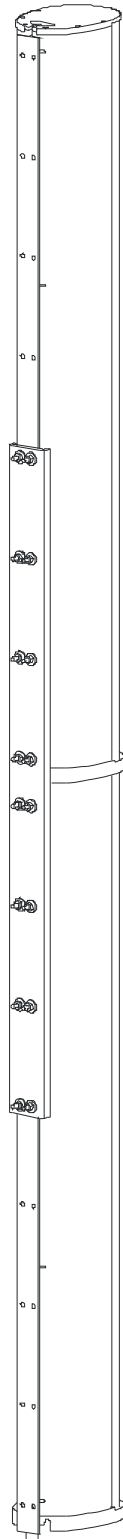
(Included with ENTASYS)

Assembly Diagram



ENTASYS COUPLER BRACKER

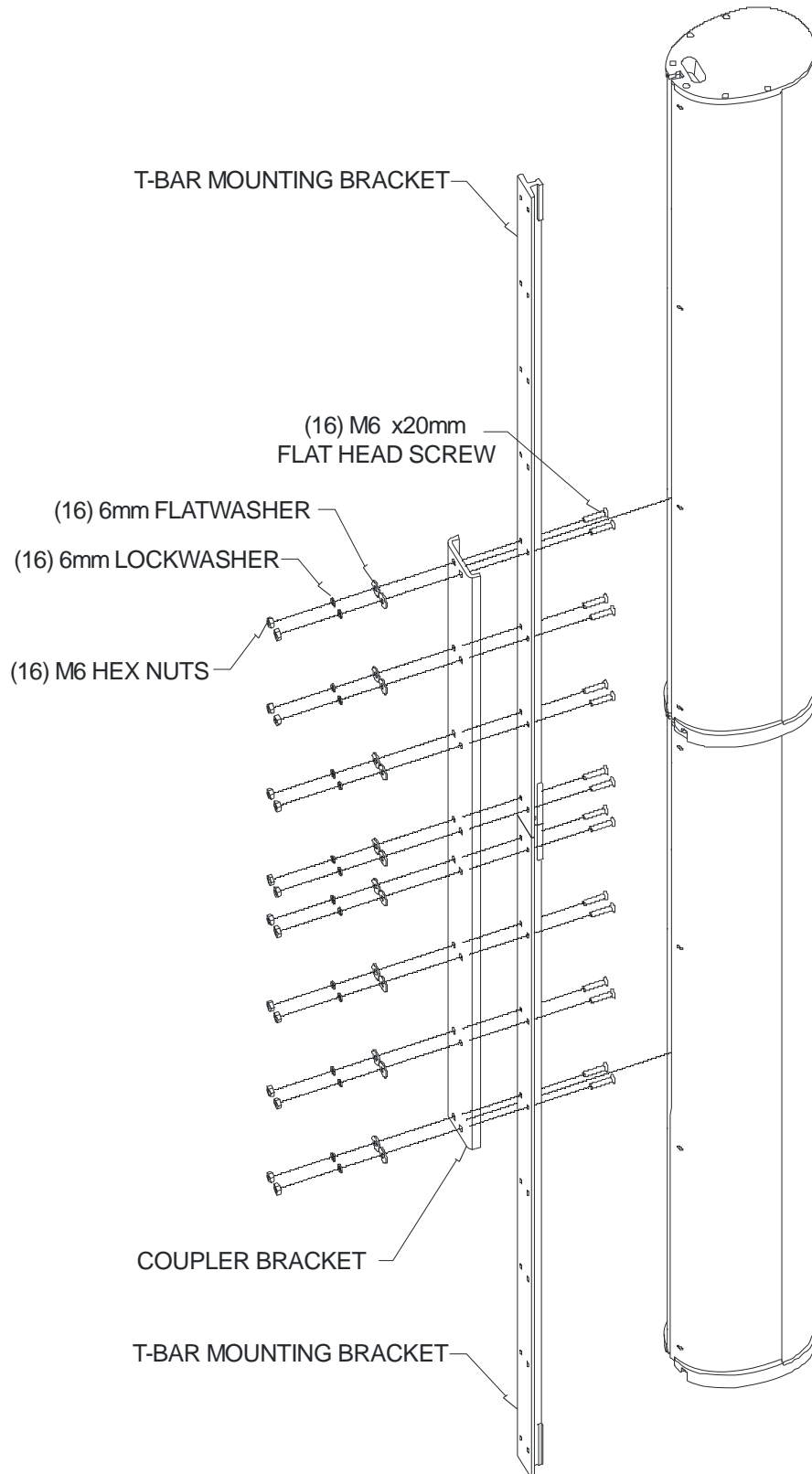
- Use one coupler bracket to join two ENTASYS columns together
- Use two coupler brackets to join three ENTASYS columns together
- Use three coupler brackets to join four ENTASYS columns together
- Use four coupler brackets to join five ENTASYS columns together
- Also used in conjunction with other ENTASYS bracket accessories
- Available in black and white



Coupler Bracket

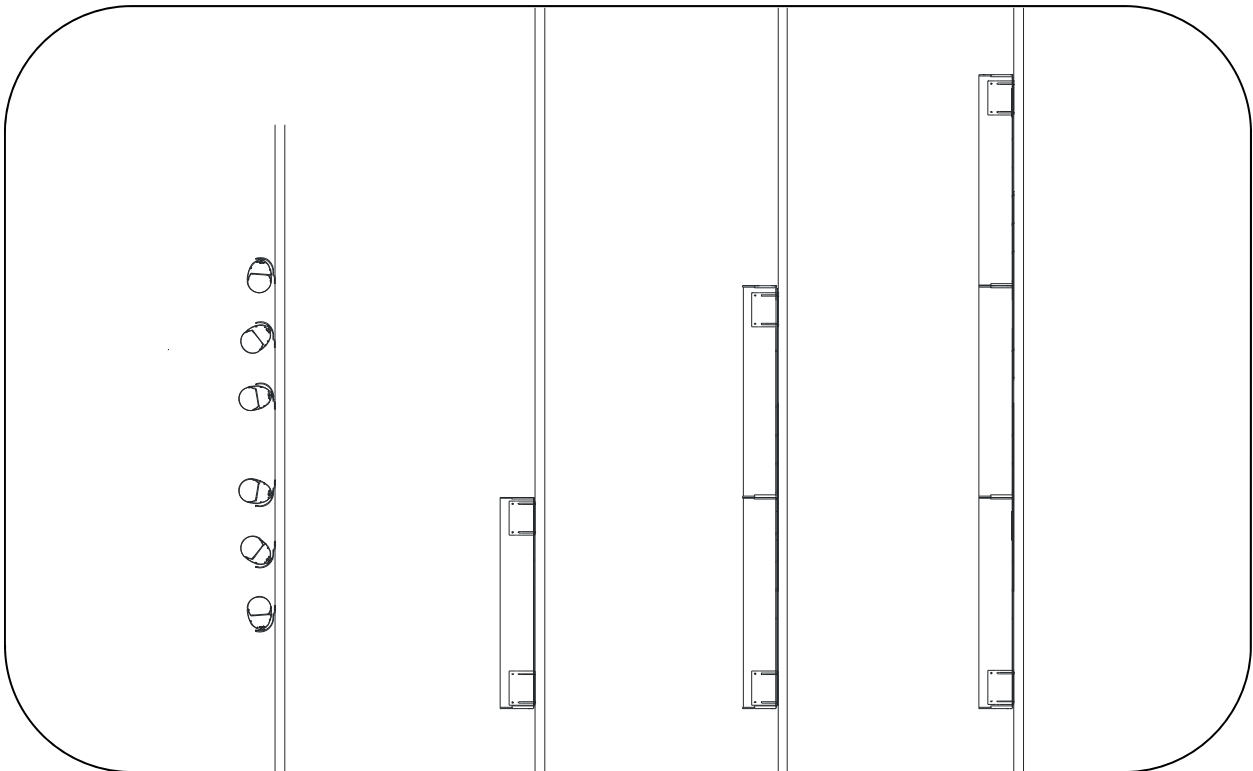
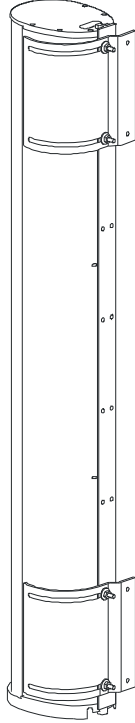
Part No. ENT-CB

Assembly Diagram



ENTASYS PAN BRACKET

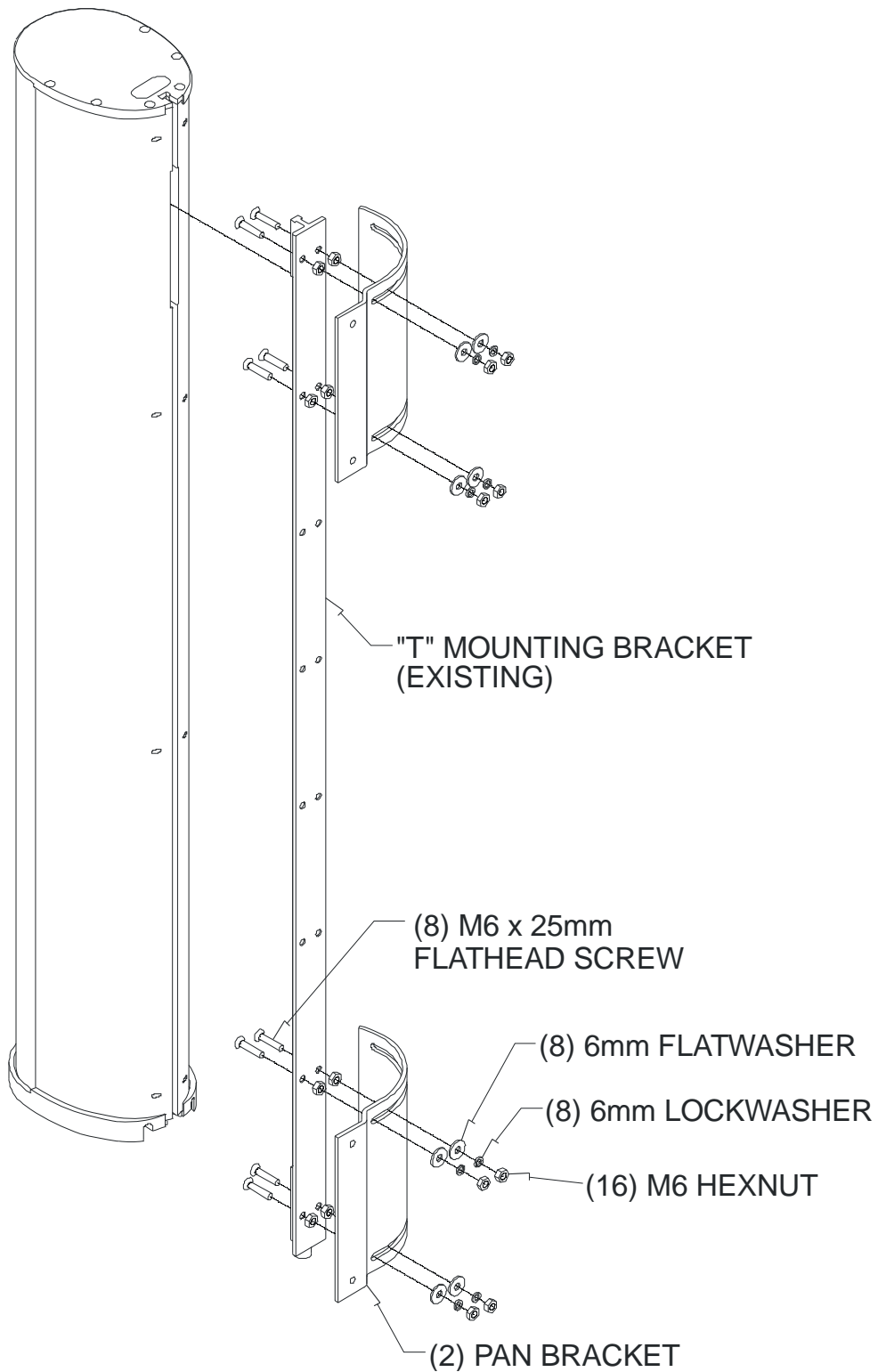
- Enables ENTASYS columns to pan left or right up to 80°
- Use with single-columns and column-assemblies (up to 5 columns)
- When installing loudspeaker assemblies with two or more columns, a coupler bracket (ENT-CB) must be used to join multiple columns together
- Available in black and white



Pan Bracket

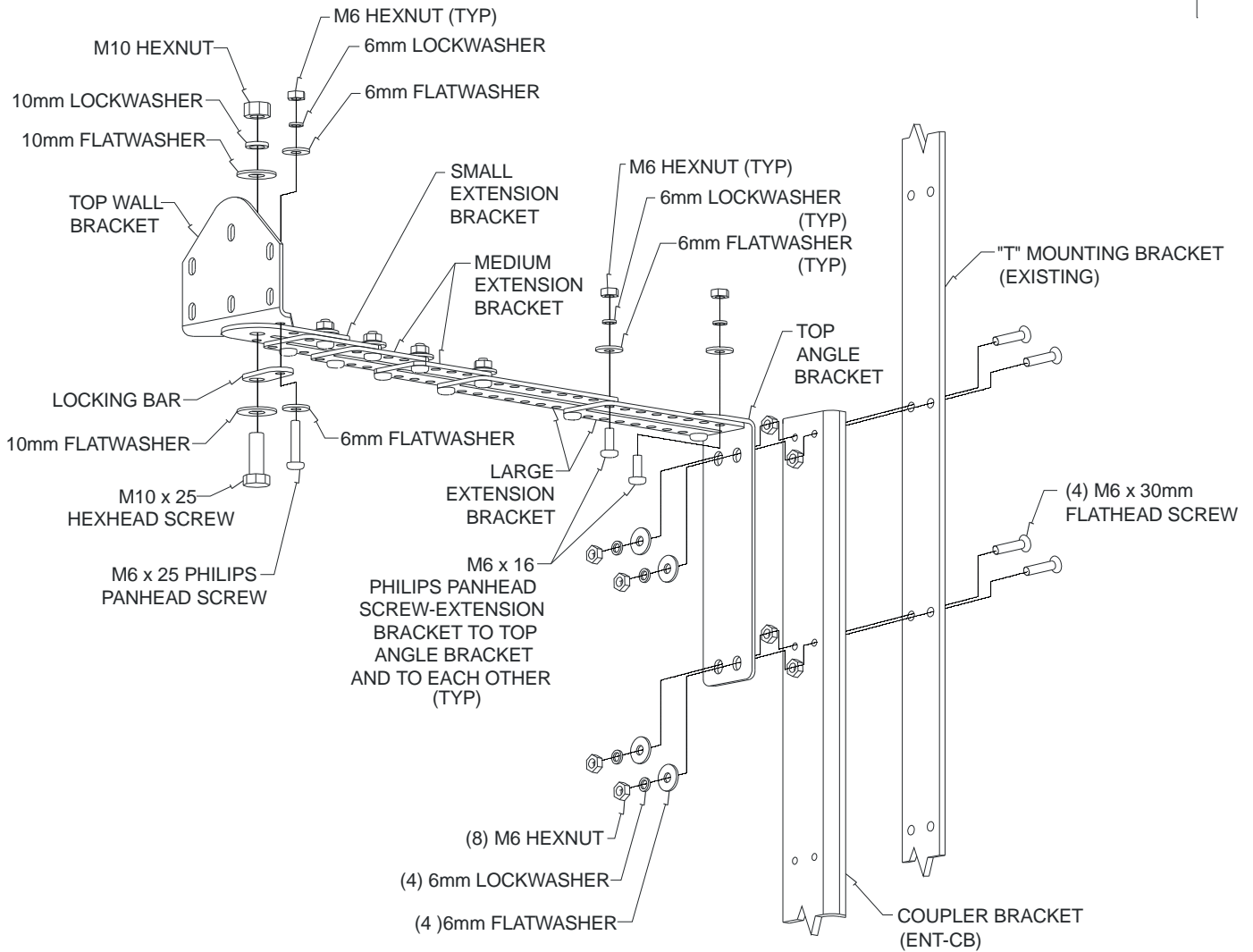
Part No. ENT-PB

Assembly Diagram



ENTASYS PAN-TILT BRACKET

- Enables ENTASYS columns to pan left or right up to 160° and/or to be tilted downwards
- Use with single-columns and column-assemblies (up to 5 columns)
- 1-to-3 column-assemblies may be tilted down at up to a 10° downward tilt
- 4-to-5 column-assemblies may be tilted down at up to a 5° downward tilt
- When installing loudspeaker assemblies with two or more columns, a coupler bracket (ENT-CB) must be used to join multiple columns together
- Available in black and white

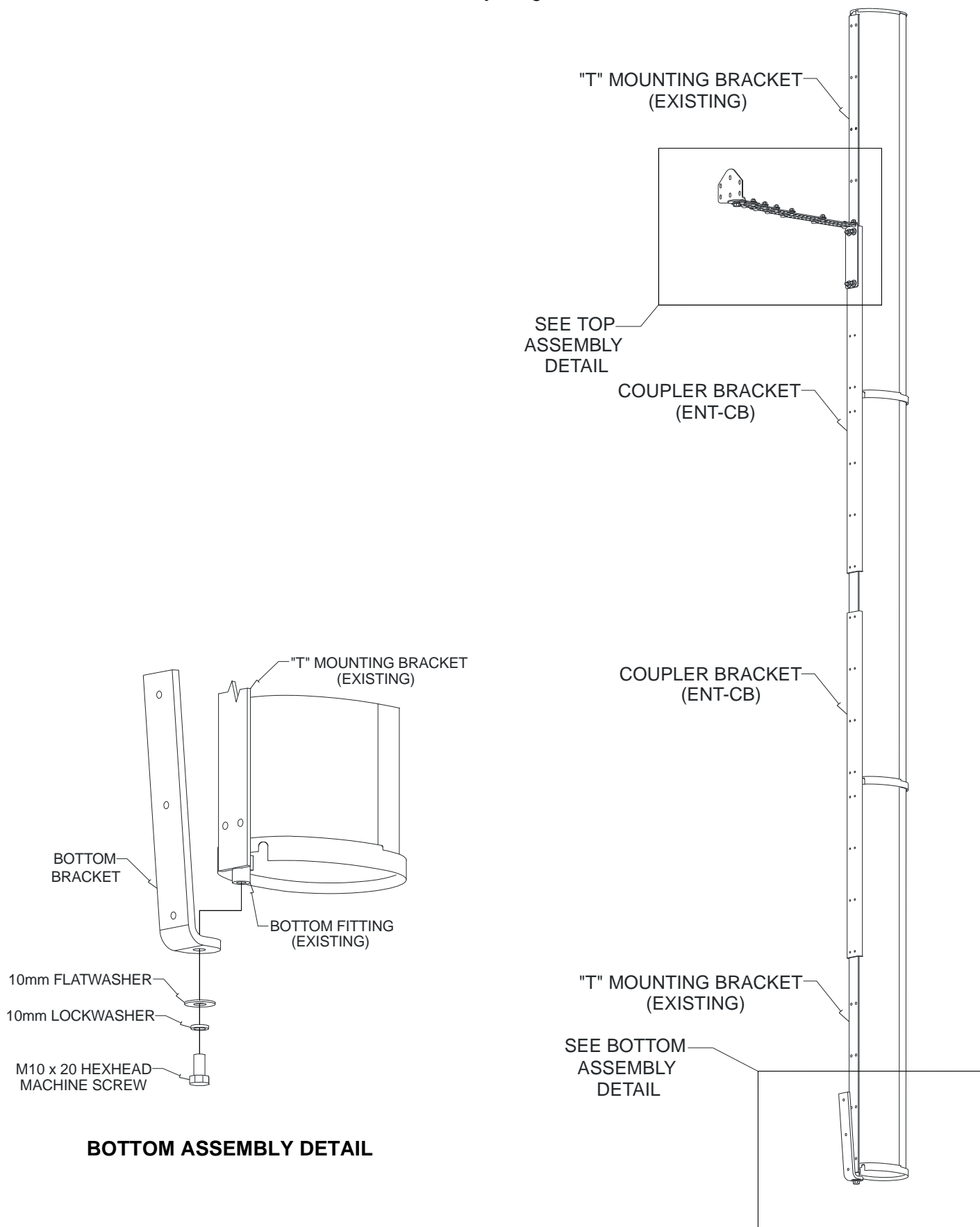


TOP ASSEMBLY DETAIL

Pan-Tilt Bracket

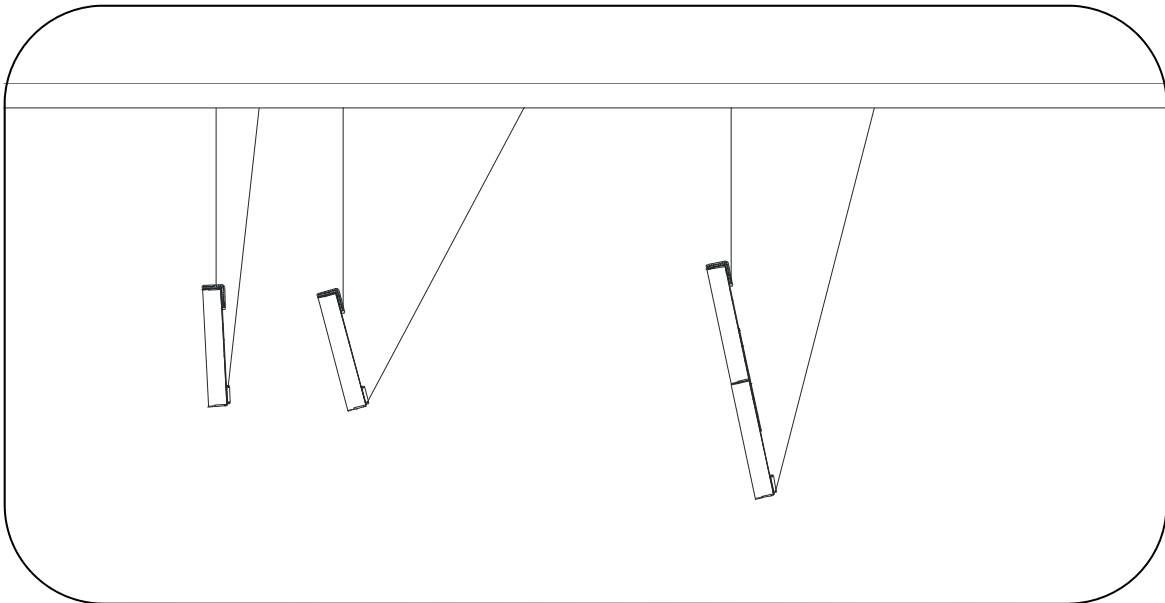
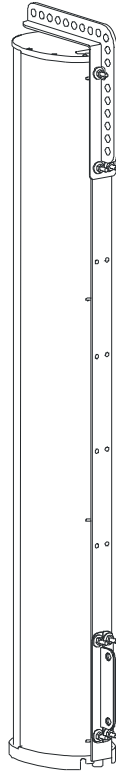
Part No. ENT-PT

Assembly Diagram



ENTASYS FLY KIT

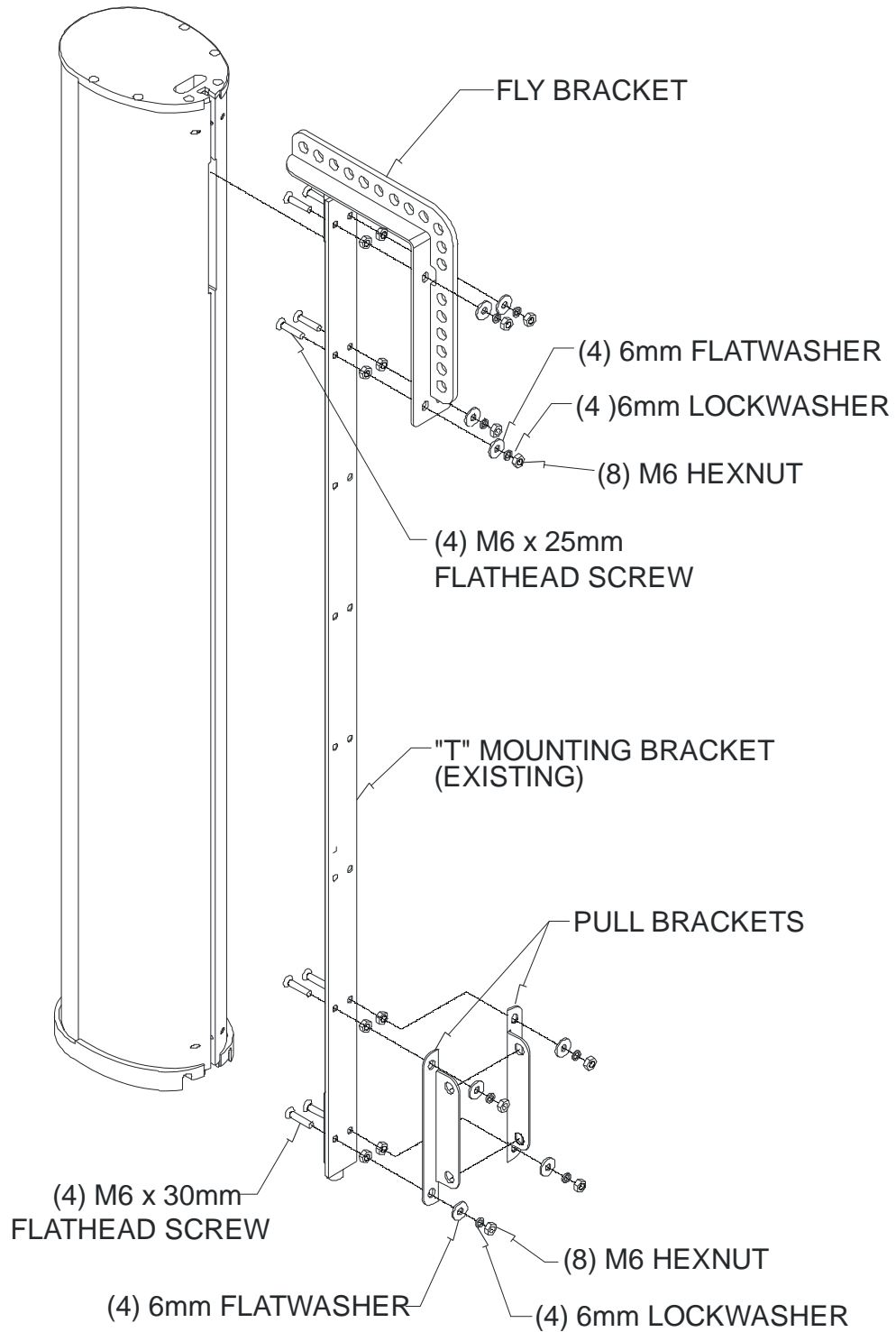
- Enables ENTASYS columns to be flown from the ceiling in an open space
- Use with single-columns and column-assemblies (up to 5 columns)
- When installing loudspeaker assemblies with two or more columns, a coupler bracket (ENT-CB) must be used to join multiple columns together
- Available in black and white



Fly Kit

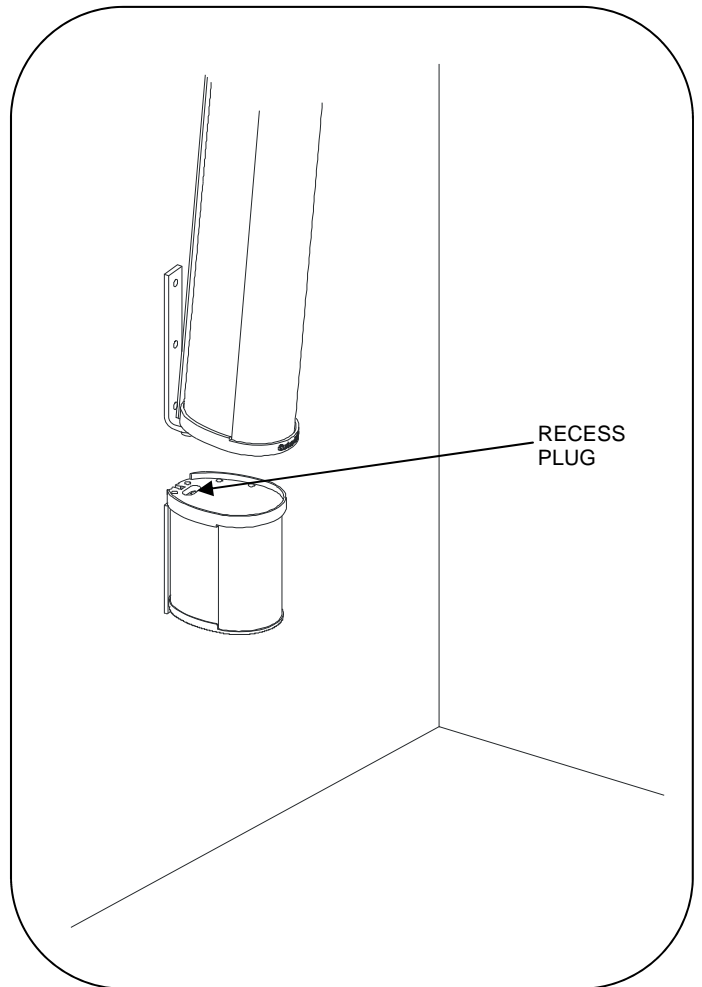
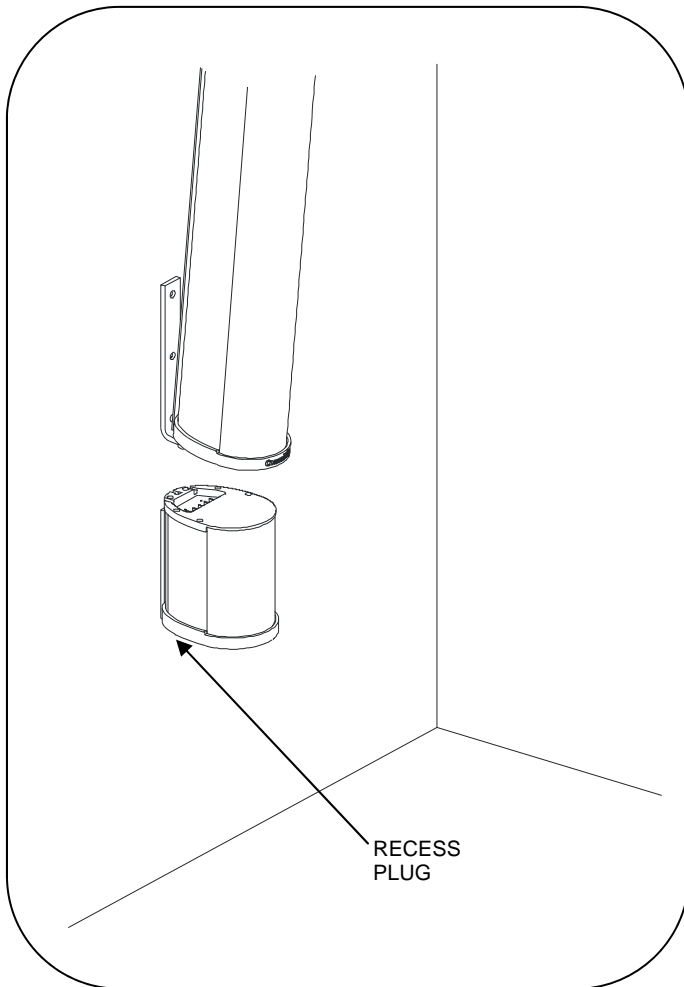
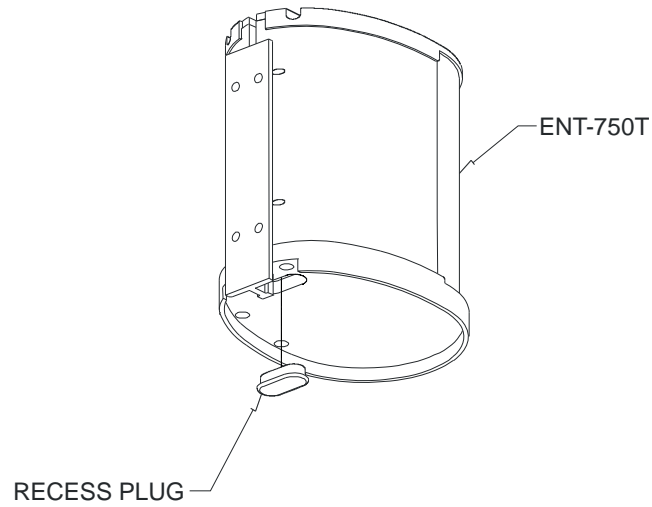
Part No. ENT-FK

Assembly Diagram



ENTASYS 750-WATT AUTOFORMER

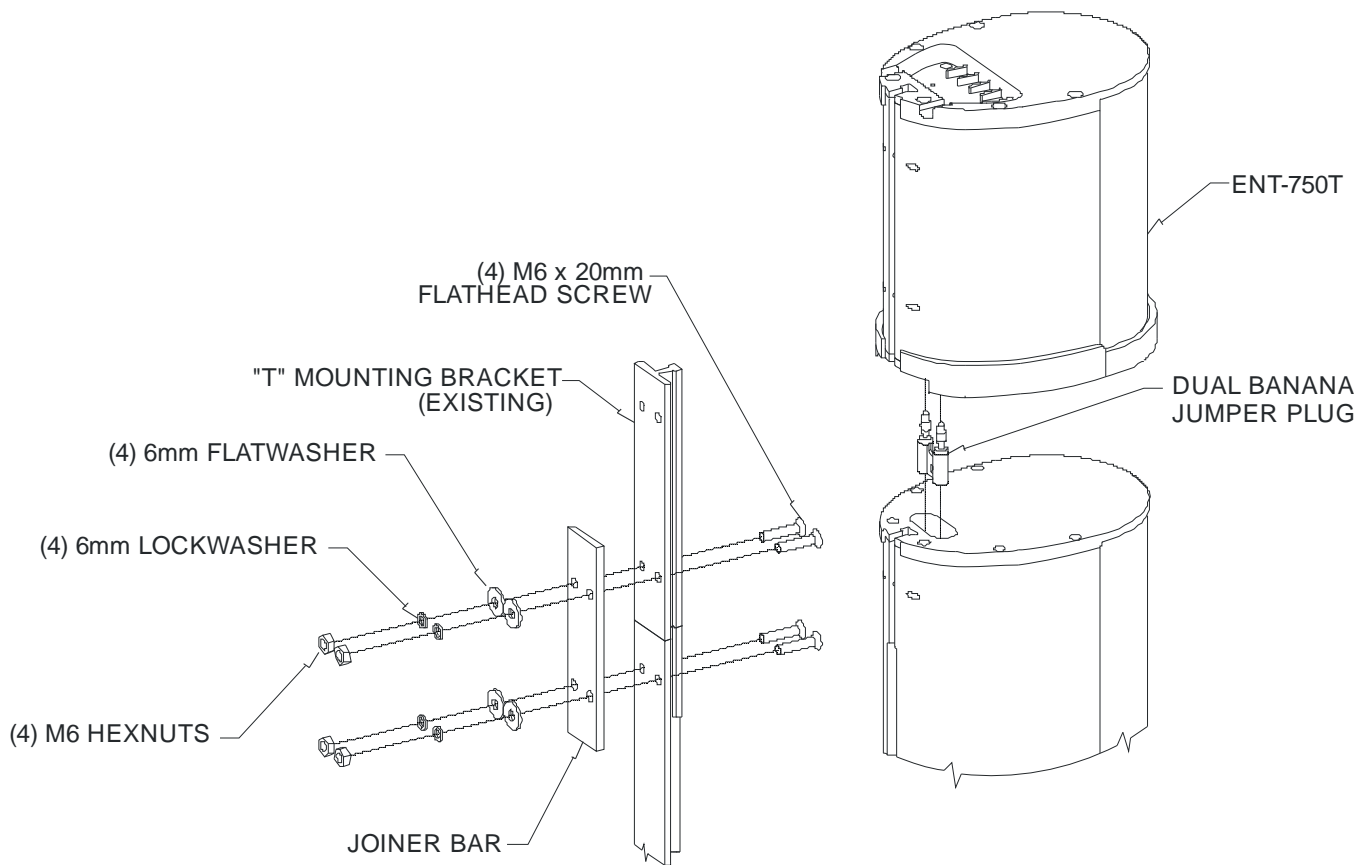
- 750W autoformer for ENTASYS systems
- Autoformer mounting bracket included
- Available in black and white



Autoformer with Bracket

Part No. ENT-750T

Assembly Diagram





Community Professional Loudspeakers
333 East Fifth Street, Chester, PA 19013-4511 USA
Phone 610-876-3400 · Fax 610-874-0190
www.communitypro.com

© 2014 Community Professional Loudspeakers