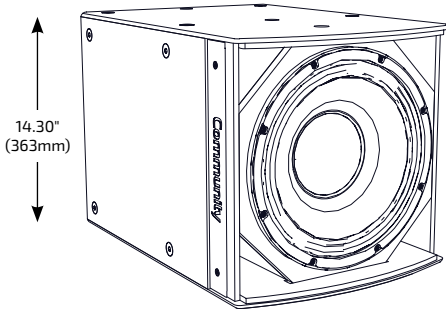


I SERIES

Subwoofer 800

IS8-112

 HIGH POWER SINGLE 12-INCH
SUBWOOFER

APPLICATIONS
SMALL TO MEDIUM SIZE VENUES

 Houses of Worship · Auditoriums · Restaurants
Meeting Rooms · Theaters · Corporate A/V Systems

LARGER SIZE VENUES

 Arenas · Stadiums · Night Clubs · Theaters
Themed Entertainment · Larger Houses of Worship

DESCRIPTION

I SERIES Subwoofer 800 loudspeakers provide exemplary acoustic performance, modular flexibility and elegant aesthetics for modern performance venues. Designed to support the goals of systems integrators and consultants both acoustically and mechanically, I SERIES Subwoofers provide a broad range of sizes and capabilities that can be specifically matched to the needs of any modern venue.

The compact, low-profile single driver I SERIES subwoofers are ideal for distributed or concealed sub-bass and are the perfect choice for ground stack applications. Additionally, each cabinet was carefully designed to provide matching face widths and suspension point locations for seamless integration into flown arrays with I SERIES full-range models when additional LF extension is needed but a compact appearance is required. The broad range of optional low profile fly rails, fly frames and modular array brackets reduces design and installation time while also providing improved aesthetics and nearly limitless integration possibilities.

The IS8-112 is a compact, direct radiating subwoofer with large, balanced ports that provide optimal enclosure tuning and even air pressure distribution to the driver cones, reducing distortion and extending system longevity. FEA optimized linear suspensions and high flux neodymium motors with long linear excursion capabilities provide exceptionally deep bass for the enclosure's diminutive size.

FEATURES

- High-flux, linear neodymium motor with demodulation ring for very low distortion
- Matched-size enclosure and aligned suspension point for seamless flown array integration
- 1000W continuous power handling (4000W peak)
- Long, linear excursion ensures deep, clean bass extension at maximum output

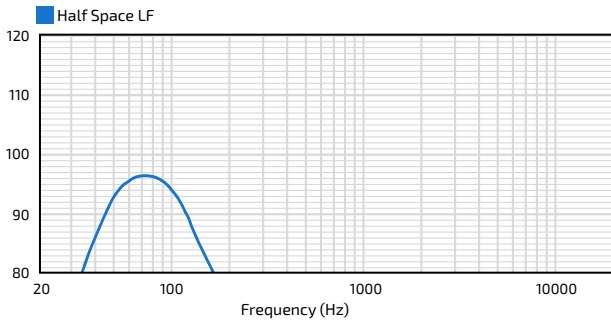
TECHNICAL SPECIFICATIONS¹

Operating Mode	Single Amp		
Operating Environment	Indoor or Weather-Resistant Outdoor		
Operating Range²	38 Hz to 148 Hz		
Transducer	1 x 12" (305mm) double-treated cone with 4" (102mm) voice coil, demodulation ring, neodymium construction		
Continuous Power Handling³ @ Nominal Impedance	Single Amp	89V	1000W @ 8 ohms (4000W peak)
Nominal Sensitivity⁴	Half Space	@ 1W 95 dB	@ 2.83V 95 dB
	Whole Space	89 dB	89 dB
Nominal Maximum SPL⁵	Half Space	Peak 131 dB	Continuous 125 dB
	Whole Space	125 dB	119 dB
Equalized Sensitivity⁶	Half Space	@ 1W 94 dB	@ 2.83V 94 dB
	Whole Space	88 dB	88 dB
Equalized Maximum SPL⁷	Half Space	Peak 130 dB	Continuous 124 dB
	Whole Space	124 dB	118 dB
Recommended Amplifiers	Single Amp	1000W - 2000W @ 8 ohms, (89V - 126V)	
PHYSICAL			
Input Connection	(2) Screw terminal blocks (4-position)		
Mounting Points	(24) M10 threaded rigging points Indoor; (22 in Outdoor model)		
Environmental	Outdoor: IP55W per IEC 60529 , MIL-STD-810G		
Weight	58 lbs (26.3 kg) subwoofer only		
Dimensions H x W x D	14.30" x 14.50" x 21.00" (363 x 368 x 533 mm)		
Finish	Refer to the Technical Drawing		
OPTIONS			
Accessories (Refer to BalancePoint™ Flyware Accessory Guide for complete listing)	Rigging kits include: BFR22 : BalancePoint™ Fly Rails; IAF40 : Isometric Array Frame; HAB : Sub/Dual 2-Way Horiz. Array; HVS : Multiple Horiz./Vert. Array Kits with Sub Behind Array Options; DFS : Downfill Splay Kit; TPK : Tight Pack Kit		
Configure-to-Order (CTO)	Custom color, Custom cable lengths on outdoor version		

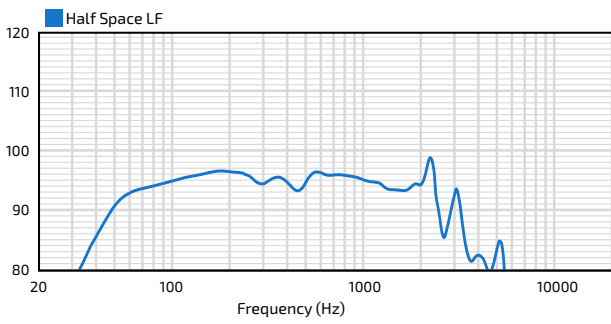
Community strives to improve its products on a continual basis. Specifications are therefore subject to change without notice.

IS8-112 HIGH POWER SINGLE 12-INCH SUBWOOFER

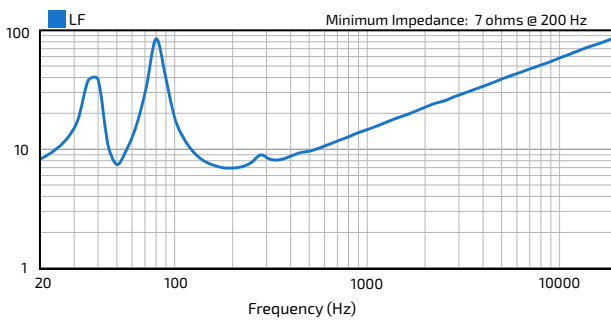
AXIAL PROCESSED RESPONSE (dB)⁸



AXIAL SENSITIVITY (dB SPL)⁹



IMPEDANCE (Ohms)



IS8-112

HIGH POWER SINGLE 12-INCH SUBWOOFER

TECHNICAL DRAWING / DIMENSIONS / FINISH

Indoor Models:

Grille: Powder-coated perforated steel backed with color-matched acoustically transparent woven fabric. Black (RAL#9005) or White (RAL#9003)

Enclosure / Finish: Black (RAL#9004) or White (RAL#9003) low gloss, uniformly textured painted 15mm Baltic Birch plywood.

***Outdoor Models:**

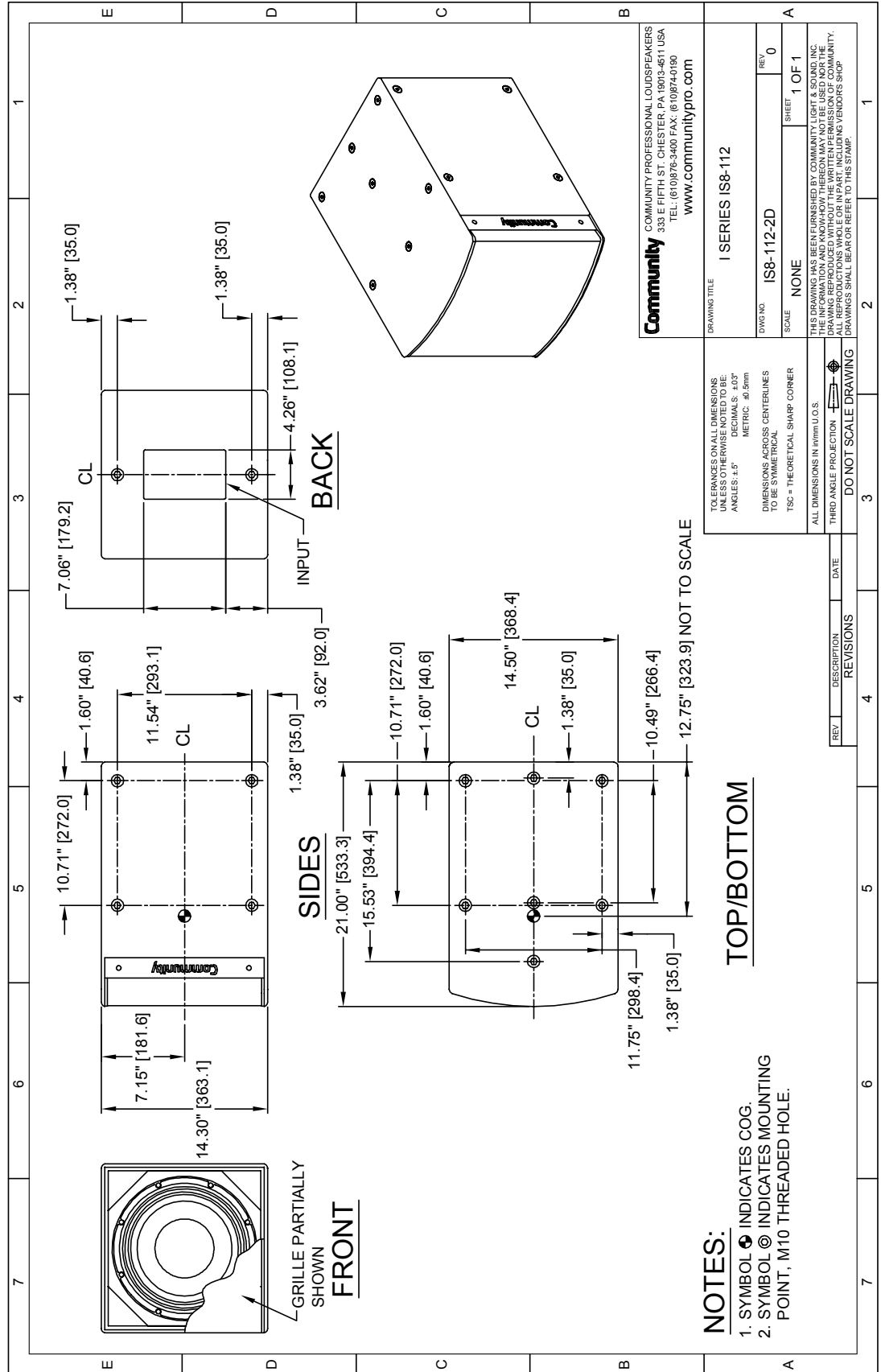
Grille: Marine grade aluminum with zinc-rich dual-layer powder-coat, featuring NeverWet™ treated acoustically transparent woven black fabric backing. Grey (RAL#7047)

Enclosure / Finish: 15mm PolyGlas, Grey, heavily textured industrial-grade exterior-rated coating. Black, White or Custom colors upon request.

H x W x D
14.30" x 14.50" x 21.00"
(363 x 368 x 533 mm)

Unit Weight
58 lbs (26.3 kg) loudspeaker only

Shipping Weight
66 lbs (29.9 kg)



NOTES:

1. SYMBOL INDICATES COG.
2. SYMBOL INDICATES MOUNTING POINT, M10 THREADED HOLE.

Community COMMUNITY PROFESSIONAL LOUDSPEAKERS
333 E FIFTH ST. CHESTER, PA 19013-4611 USA
TEL: (610)876-3400 FAX: (610)874-0190
www.communitypro.com

DRAWING TITLE		I SERIES IS8-112	
DWG NO.	IS8-112-2D	REV.	0
SCALE	NONE	SHEET	1 OF 1

TOLERANCES ON ALL DIMENSIONS UNLESS OTHERWISE SPECIFIED: DECIMALS: .005 METRIC: .40 mm DIMENSIONS ACROSS CENTERLINES TO BE SYMMETRICAL TSC = THEORETICAL SHARP CORNER ALL DIMENSIONS IN mm UNLESS OTHERWISE SPECIFIED THIRD ANGLE PROJECTION DO NOT SCALE DRAWING

REV.	DESCRIPTION	DATE

*Note: The outdoor model drawing is available at communitypro.com - Input panel and mounting point locations, and the unit weight will vary from indoor model (shown).

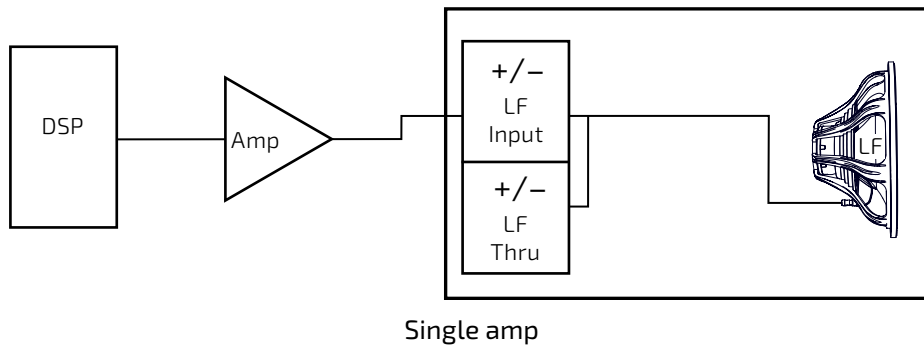
I SERIES

Subwoofer 800

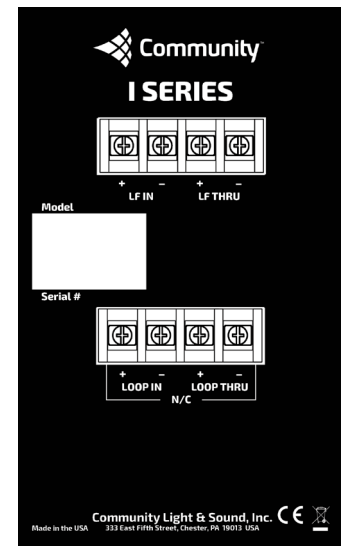
IS8-112

HIGH POWER SINGLE 12-INCH
SUBWOOFER

CONNECTION DIAGRAM



INPUT PANEL



NOTES

- PERFORMANCE SPECIFICATIONS** All measurements are taken indoor using a time-windowed and processed to eliminate room effects, approximating an anechoic environment, a distance of 6.0 m. All acoustic specifications are rounded to the nearest whole number. An external DSP with settings provided by Community Professional Loudspeakers is required to achieve the specified performance; further performance gains can be realized using Community's dSPEC226 loudspeaker processor with FIR power response optimization.
- OPERATING RANGE** The frequency range in which the axial processed response remains within 10dB of the average SPL.
- CONTINUOUS POWER HANDLING** Maximum continuous input voltage (and the equivalent power rating, in watts, at the stated nominal impedance) that the system can withstand, without damage, for a period of 2 hours using an EIA-426-B defined spectrum; with recommended signal processing and protection filters.
- NOMINAL SENSITIVITY** Averaged SPL over the operating range with an input voltage that would produce 1 Watt at the nominal impedance and the averaged SPL over the operating range with an input voltage of 2.83 Volts, respectively; swept sine wave axial measurements with no external processing applied in whole space, except where indicated.
- NOMINAL MAXIMUM SPL** Calculated based on nominal / peak power handling, respectively, and nominal sensitivity; exclusive of power compression.
- EQUALIZED SENSITIVITY** The respective SPL levels produced when an EIA-426-B signal is applied to an equalized loudspeaker system at a level which produces a total power of 1 Watt, in sum, to the loudspeaker subsections and at a level which produces a total voltage, in sum, of 2.83 volts to the loudspeaker subsections, respectively; each referenced to a distance of 1 meter.
- EQUALIZED MAXIMUM SPL** The SPL produced when an EIA-426-B signal is applied to an equalized loudspeaker system, at a level which drives at least one subsection to its rated continuous input voltage limit, referenced to a distance of 1 meter. The peak SPL represents the 2:1 (6dB) crest factor of the EIA-426-B test signal.
- AXIAL PROCESSED RESPONSE** The axial magnitude response of the complete loudspeaker system and each pass band capable of being driven by an independent amplification channel with recommended signal processing applied. 1/6 octave smoothing applied.
- AXIAL SENSITIVITY** The SPL plotted against frequency, in all operating modes and for each pass band capable of being driven by an independent amplification channel, for a 1 Watt swept sine wave, referenced to 1 meter with no signal processing. 1/6 octave smoothing applied.

Data presented on this spec sheet represents a selection of the basic performance specifications for the model. These specifications are intended to allow the user to perform a fair, straightforward evaluation and comparison with other loudspeaker spec sheets. For a detailed analysis of this loudspeaker's performance, please download the GLL file and/or the CLF file from our website: communitypro.com.