

SPECIFICATIONS

| | |
|---------------------------------------|---|
| Loudspeaker Type: | Two-way, bass ported floor monitor |
| Operating Range: | 70 Hz to 18 kHz 70 Hz to 18 kHz (±5 dB) |
| Max Input Ratings (Passive): | 200W continuous, 500W program 40 volts RMS, 89 volts momentary peak |
| Recommended Power Amplifier: | 420W to 600W @ 8 ohms |
| | LF: Same as for passive mode Recommended LF Power Amp: Same as for passive mode |
| Max Inputs (Bi-amp): | HF: 50W continuous, 125W program 20 volts RMS, 45 volts momentary peak Recommended HF Power Amp: 100W to 150W @ 8 ohms |
| Sensitivity (1W/1m): | 99 dB SPL (70 Hz to 18 kHz 1/3 octave bands) 97 dB SPL (250 Hz to 4 kHz speech range) |
| Maximum Output: | 122 dB SPL / 129 dB SPL (peak) |
| Nominal Impedance (Passive): | 8 ohms |
| Minimum Impedance: | 5.2 ohms @ 210 Hz |
| Nominal Impedance (Bi-amp): | LF: 8 ohms HF: 8 ohms |
| Nominal -6dB Beamwidth: | 55° H (+9° / -8°, 2 kHz to 10 kHz) 40° V (+1° / -5°, 2 kHz to 10 kHz) |
| Axial Q / DI: | 33 / 15.2, 2 kHz to 10 kHz |
| Crossover Frequency: | 2 kHz |
| Recommended Signal Processing: | 60 Hz high pass filter |
| Drivers: | LF (1) 12-inch, Ferrofluid-cooled HF (1) 1-inch exit, titanium diaphragm |
| Driver Protection: | PowerSense™ DDP |
| Input Connection: | (2) Neutrik NL4MP (2) ¼-inch jack Passive / Bi-amp switch Two-position HF level switch |
| Enclosure: | 13-ply solid birch plywood |
| Handles: | (2) steel recessed spring handles |
| Finish: | Black or white Tuf-coat™ finish |
| Grille: | 16-gauge perforated steel, black or white powder coated |
| Required Accessories: | None |
| Supplied Accessories: | (4) Rubber feet with mounting screws |
| Dimensions—Height: | 14.4 inches (366 mm) |
| Width: | 23.9 inches (608 mm) |
| Depth: | 15.3 inches (389 mm) |
| Weight: | 54 lbs (24.5 kg) |



APPLICATIONS

- Theaters
- Auditoriums
- Houses of worship
- Clubs
- Bands

FEATURES

- 1-inch titanium HF driver
- Switchable passive / bi-amp modes
- 2-position HF level switch
- PowerSense™ DDP circuitry with front indication
- Two recessed steel spring handles
- Available in 90° x 40° or 60° x 40° format
- Multi-angle cabinet provides choice of monitor positions
- Available in black or white finishes
- Five-year warranty

DESCRIPTION

The MX41E is a small and versatile two-way full-range bass reflex floor monitor engineered for live performance. Available in a 90 x 40 (MX41E-94) or 60 x 40 (MX41E-64) degree coverage pattern, the horns are rotatable for narrower horizontal coverage. Designed for professionals, the MX41E features a Ferrofluid-cooled LF driver, solid birch plywood enclosure, 16-gauge perforated steel grille, heavy-duty steel handles, steel input panel with a Passive/Bi-amp switch, and Neutrik input connectors. The MX41E also includes Community's PowerSense™ driver protection circuitry with an over-drive indicator light.

The MX41E is voiced for live sound, providing excellent sound projection, exceptional vocal performance, and balanced musical reproduction. Both black and white finishes are available. Five-year warranty.

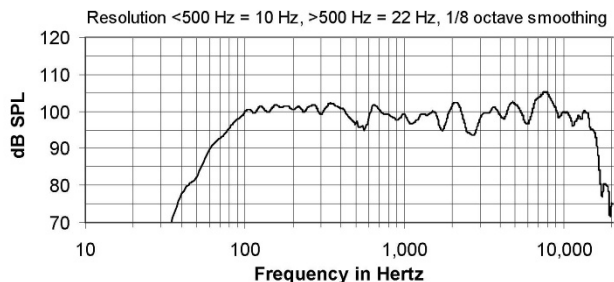
MX41E OPTIONS

| | |
|--------------|---------------------------------------|
| "94B" suffix | 90 x 40 degree coverage, black finish |
| "94W" suffix | 90 x 40 degree coverage, white finish |
| "64B" suffix | 60 x 40 degree coverage, black finish |
| "64W" suffix | 60 x 40 degree coverage, white finish |

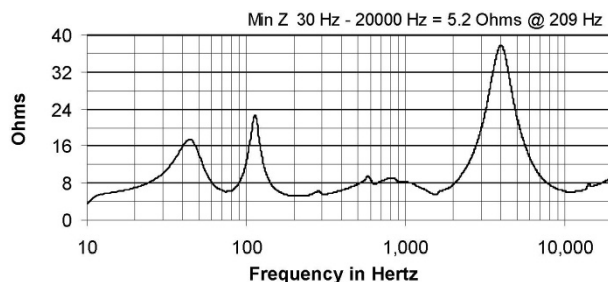
NOTES:

1. Sensitivity: Free field pink noise measurement at 20 ft (6.1 m) at 25% power; extrapolated to 1 meter and an input of 2.83 volts RMS.
2. Watts: All wattage figures are calculated using the rated nominal impedance.

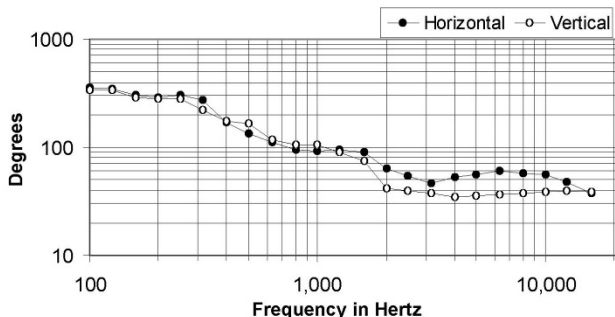
FREQUENCY RESPONSE



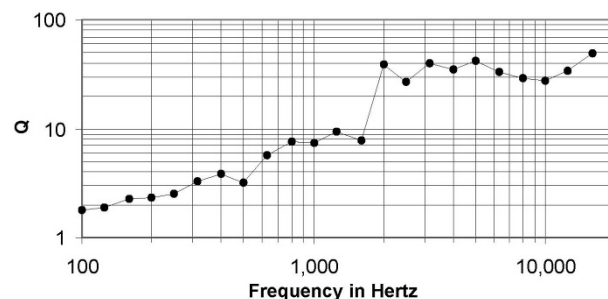
IMPEDANCE



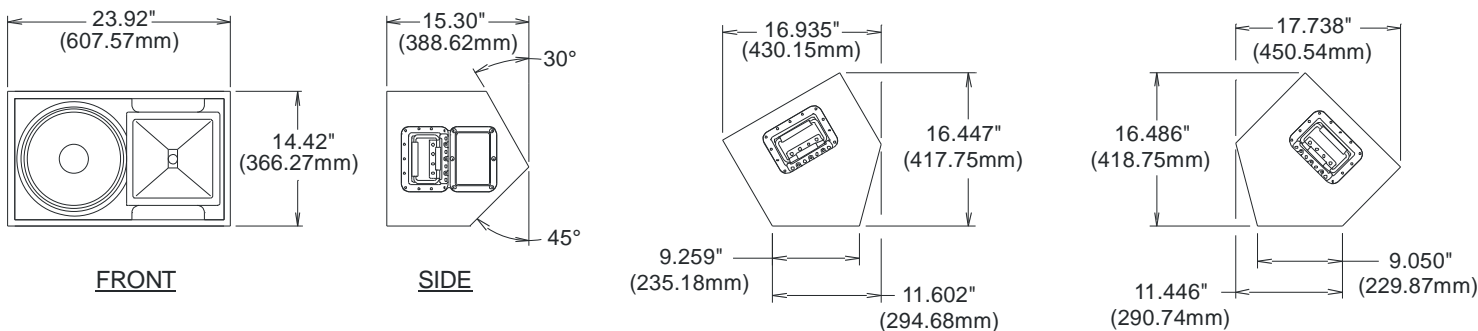
BEAMWIDTH



AXIAL Q



DIMENSIONS



ARCHITECTURAL SPECIFICATIONS

The loudspeaker system shall be a two-way, full-range bass reflex design with angled back panels allowing 30 degree and 45 degree front slant in the PA monitor position. The loudspeaker system shall have one 12 in. Ferrofluid-cooled woofer and one 1 in. exit HF driver with a titanium diaphragm mounted to a 90° rotatable HF fiberglass horn. Drivers shall be connected to an integral crossover with a crossover frequency of 2 kHz and integral over-current protection circuitry using high positive current coefficient resistors. There shall be two NL4MP connectors and two 1/4" phone jack connectors with a switch for passive or bi-amplified connection and side-facing LED over-power indicator light. The loudspeaker enclosure shall be solid birch plywood with a 16-gauge perforated steel grille and finished with black (or white) Tuf-coat™. The system shall have an amplitude response of 70 Hz to 18 kHz (+/- 5 dB), input capability of 40V RMS, 99 dB sensitivity at one meter and 2.83V / 8 ohms nominal impedance. The nominal dispersion shall be 55°H x 40°V from 2 kHz to 10 kHz. The loudspeaker shall be 14.4 in. (366 mm) H x 23.9 in. (608 mm) W x 15.3 in. (389 mm) D and weigh 54 lbs (24.5 kg).

Community strives to improve its products on a continual basis. Specifications are therefore subject to change without notice.