

SPECIFICATIONS

Loudspeaker Type:	Compact subwoofer, weather-resistant
Operating Range:	45 Hz to 150 Hz 50 Hz to 100 Hz (±3 dB)
Max Input Ratings:	200W continuous, 500W program, 6 ohms 35 volts RMS, 77 volts momentary peak Transformer taps with 70V/100V option 200 / 100 / 50 / 25 watts
Recommended Power Amplifier:	420W to 600W @ 6 ohms
Sensitivity (1W/1m):	91 dB SPL (63 Hz to 160 Hz 1/3 octave bands)
Maximum Output:	119 dB SPL / 126 dB SPL (peak)
Nominal Impedance:	6 ohms
Minimum Impedance:	5.4 ohms @ 87 Hz
Nominal -6dB Beamwidth:	360° H x 180° V
Axial Q / DI:	1 / 0, 40 Hz to 150 Hz
Crossover:	Internal passive 120 Hz, 12 dB low pass
Recommended Signal Processing:	45 Hz high pass filter, 24 dB
Drivers:	LF (1) 12" weather-treated
Driver Protection:	None
Input Connection:	12 foot (4m) SJOW 16 gauge / 12 foot (4m) 5 conductor #18 gauge cable
Controls:	None
Enclosure:	Rotomolded LLDPE, light grey
Mounting/Rigging Provisions:	(5) 3/8-16 rigging points
Grille:	3-layer WeatherStop™, light grey (Zinc-rich epoxy dual-layer powder coated perforated steel grille, foam, woven poly mesh)
Environmental Performance:	IEC529 IP54W rating with a minimum 5-degree downward aiming angle
Required Accessories:	45 Hz high pass filter
Supplied Accessories:	(1) Yoke bracket, light grey (1) Aiming strap
Optional Accessories:	Passive internal crossover PMB Series pole mount brackets
Dimensions—Height:	16 inches (406.4 mm)
Width:	16 inches (406.4 mm)
Depth:	15.94 inches (404.88 mm)
Weight:	35 lbs (15.9 kg) / 41 lbs (18.6 kg)
Shipping Weight:	39 lbs (17.7 kg) / 45 lbs (20.4 kg)



APPLICATIONS

- Outdoor background music / paging systems
- Theme and amusement parks
- Fairgrounds
- Malls
- Cruise ships
- Swimming pools
- Convention centers
- Ski resorts
- Portable sound systems

FEATURES

- Weather-resistant, rotomolded UV enclosure
- Weather-treated drivers and crossovers
- Corrosion-resistant zinc-rich epoxy dual-layer powder coated steel grille and yoke
- Integral mounting points
- Optional multi-tap transformer for 70V and 100V inputs
- Five-year product warranty / Fifteen-year enclosure warranty

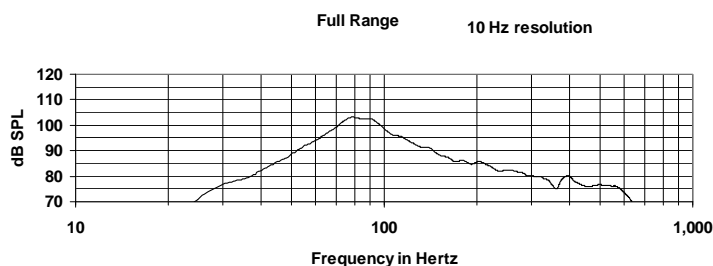
DESCRIPTION

The R.5SUB system is engineered to provide quality low frequency reproduction in a variety of outdoor and indoor environments. Its compact size and weather resistant properties allow for easy inclusion in a wide variety of environments. An available input transformer provides impedance matching to 70V or 100V lines. Five year limited warranty.

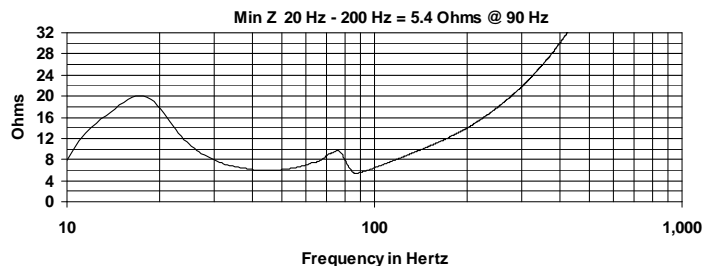
NOTES:

1. Sensitivity: Free field pink noise measurement at 4 ft (1.2 m) at 75% power; extrapolated to 1 meter and an input of 2.4 volts RMS.
2. Watts: All wattage figures are calculated using the rated nominal impedance.

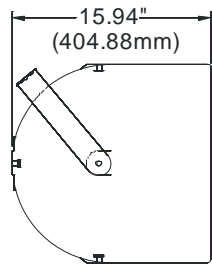
FREQUENCY RESPONSE



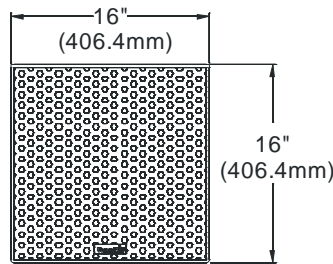
IMPEDANCE



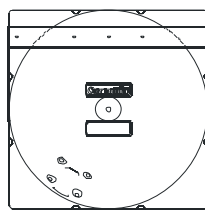
DIMENSIONS



SIDE VIEW

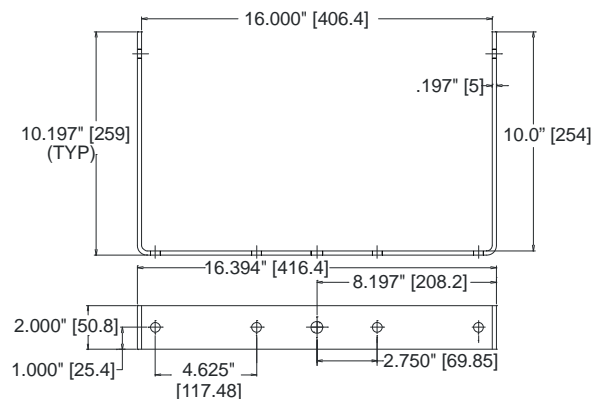


FRONT VIEW



REAR VIEW

R.5 YOKE



ARCHITECTURAL SPECIFICATIONS

The loudspeaker system shall be a bass reflex design consisting of one 12" driver inside the cabinet. The cabinet shall be a rotomolded low linear density polyethylene enclosure providing weather and UV resistance with a three-layer weather-resistant grille. The steel grille shall be powder coated with a proprietary zinc-rich epoxy dual-layer powder coating process in light grey to color match the enclosure. The system shall have an IEC529 IP rating of IP54W with a minimum 5-degree downward aiming angle. The input connection shall be one 12' (4m) SJOW #16 gauge cable with stripped ends. For transformer version, the input connection shall be one 12' (4m) 5 conductor #18 gauge cable. The enclosure shall incorporate five 3/8-16 rigging points for multiple mounting options. In addition, the loudspeaker will be supplied with one zinc-rich epoxy dual-layer powder coated steel yoke bracket. The loudspeaker system shall have an amplitude response of 50 Hz to 100 Hz (+/- 3 dB SPL), input capability of 35 volts RMS, 91 dB SPL sensitivity at 1 meter / 2.4V and 6 ohms nominal impedance. The nominal dispersion shall be omnidirectional. The dimensions of the enclosure are defined as 16" x 16" x 16" (HWD) at a weight of 35lbs.

Community strives to improve its products on a continual basis. Specifications are therefore subject to change without notice.