



SPECIFICATIONS

Loudspeaker Type:	Weather Resistant Subwoofer
Operating Range:	30 Hz to 500 Hz 40 Hz to 150 Hz (± 2 dB)
Max Input Ratings:	400W continuous, 1000W program 40 volts RMS, 89 volts momentary peak
Recommended Power Amplifier:	830W to 1200W @ 4 ohms
Sensitivity (1W/1m):	92 dB SPL (50 Hz to 125 Hz 1/3 octave bands)
Maximum Output:	118 dB SPL / 125 dB SPL (peak)
Nominal Impedance:	4 ohms
Minimum Impedance:	3.5 ohms @ 100 Hz
Nominal -6dB Beamwidth:	360°H x 180°V
Axial Q / DI:	2 / 3, 50 Hz to 125 Hz
Crossover Frequency:	N/A
Recommended Signal Processing:	35 Hz 24 dB/Oct high pass filter
Drivers:	LF 2 x 12" Cool-Coil™
Driver Protection:	DYNA-TECH protection circuitry
Input Connection:	12 foot (4 m) SJOW #16 gauge
Controls:	None
Enclosure:	Hand-laminated fiberglass, light grey gelcoat
Mounting/Rigging Provisions:	(5) 1/2"-13 rigging points
Grille:	3-layer WeatherStop™, light grey (Zinc-rich epoxy dual-layer powder coated perforated steel grille, foam, woven poly mesh)
Environmental Performance:	IEC529 IP54W rating with a minimum 5-degree downward aiming angle
Required Accessories:	Electronic high pass filter
Supplied Accessories:	Weather-resistant mounting yoke, light grey
Optional Accessories:	TRC400 400-watt transformer Digital signal processor
Dimensions—Height:	24.75 inches (629 mm)
Width:	24.75 inches (629 mm)
Depth:	30.75 inches (781 mm)
Weight:	87 lbs (39.5 kg)
Shipping Weight:	105 lbs (47.6 kg)

NOTES:

1. Sensitivity: Free field pink noise measurement at 4 ft (1.2 m) at 80% power; extrapolated to 1 meter and an input of 2 volts RMS.
2. Watts: All wattage figures are calculated using the rated nominal impedance.

APPLICATIONS

- Sports venues, athletic fields, arenas, field houses
- Stadia, ballparks, race tracks, skating rinks
- Theme and amusement parks, shopping malls
- Fairgrounds, rodeos, air shows, ski resorts
- Swimming pools, cruise ships
- Electronic carillons, music pavilions
- Gymnasiums, convention centers, ballrooms

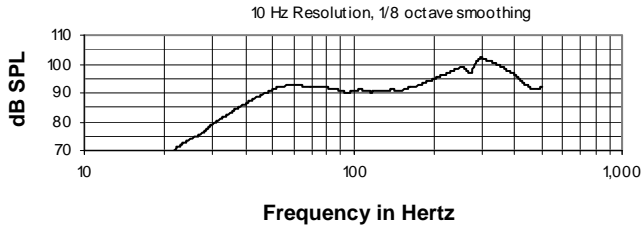
FEATURES

- Weather resistant construction
- Weather-treated drivers and components
- Corrosion-resistant zinc-rich epoxy dual-layer powder coated steel grille and yoke
- Dual 12" Cool-Coil™ woofers
- Five (5) Integral 1/2"-13 threaded mounting points
- DYNA-TECH protection circuitry
- Included weather-resistant mounting yoke for easy mounting and aiming
- Five-year product warranty / Fifteen-year enclosure warranty

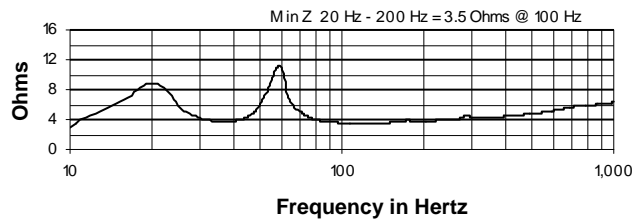
DESCRIPTION

The R2SUBZ is a powerful dual 12-inch vented subwoofer system, offering all the weather-resistant features and benefits of the acclaimed R-Series. This 400-watt subwoofer system, which includes a weather resistant mounting yoke, can be easily flown for flexible system configuration. Featuring Community's DYNA-TECH protection circuitry, the R2SUBZ is engineered to provide quality low frequency reproduction in a wide variety of outdoor and indoor environments. Its weather resistant properties make it ideal for installation in amusement parks, sports arenas, cruise ships, race tracks and more, while its contemporary design makes it just as appropriate for indoor installations as well. Ready to complement all of Community's full-range R-Series loudspeakers, the R2SUBZ is a true low frequency system that can deliver extreme sonic performance down to 40 Hz.

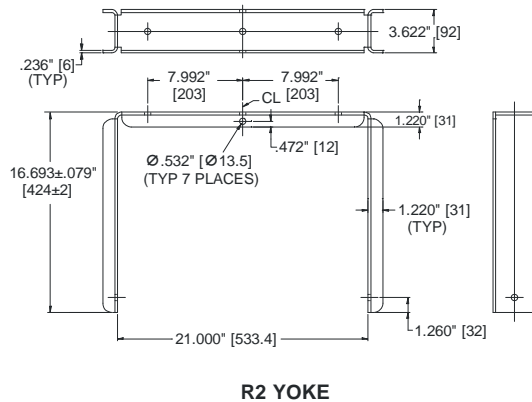
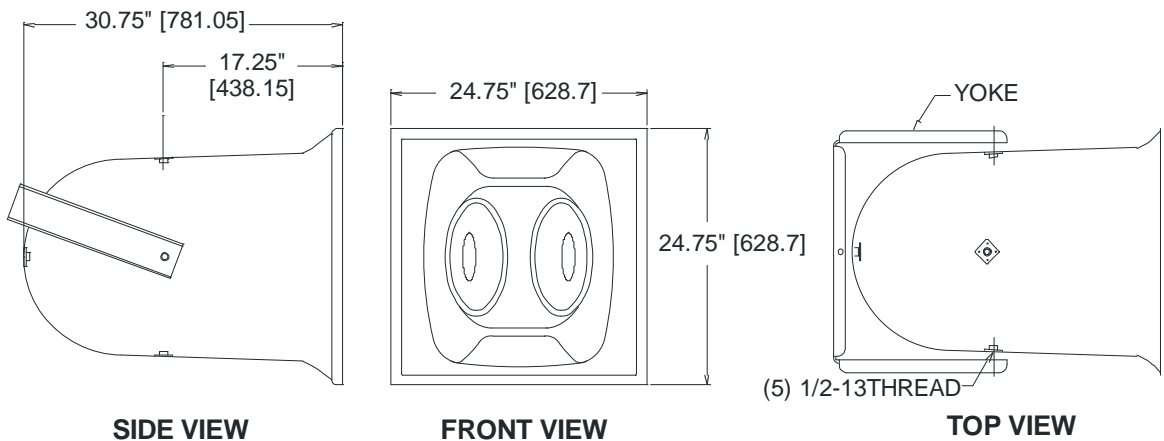
FREQUENCY RESPONSE



IMPEDANCE



DIMENSIONS



ARCHITECTURAL SPECIFICATIONS

The loudspeaker system shall be a bass reflex design consisting of two 12" drivers inside the cabinet. The cabinet shall be hand laminated fiberglass enclosure providing weather and UV resistance. The input connection shall be one 12' (4m) SJOW #16 gauge cable with stripped ends. The loudspeaker enclosure shall be an integral double-wall weather-sealed light grey fiberglass bell with a three-layer weather-resistant grille. The steel grille shall be powder coated with a proprietary zinc-rich epoxy dual-layer powder coating process in light grey to color match the enclosure. The system shall have an IEC529 IP rating of IP54W with a minimum 5-degree downward aiming angle. The enclosure shall incorporate five 1/2-13 rigging points for multiple mounting options. The loudspeaker will be supplied with one zinc-rich epoxy dual-layer powder coated steel yoke bracket. The loudspeaker system shall have an amplitude response of 40 Hz - 150 Hz (+/- 2 dB SPL), an input capacity of 400W, 92 dB SPL sensitivity @ 2.0V / 1 meter between 50Hz - 125 Hz at a nominal 4 Ohm impedance. The nominal dispersion shall be omnidirectional. The dimensions of the enclosure are defined as 24.75" x 24.75" x 30.75" (HWD) at a weight of 87 lbs.

Community strives to improve its products on a continual basis. Specifications are therefore subject to change without notice.