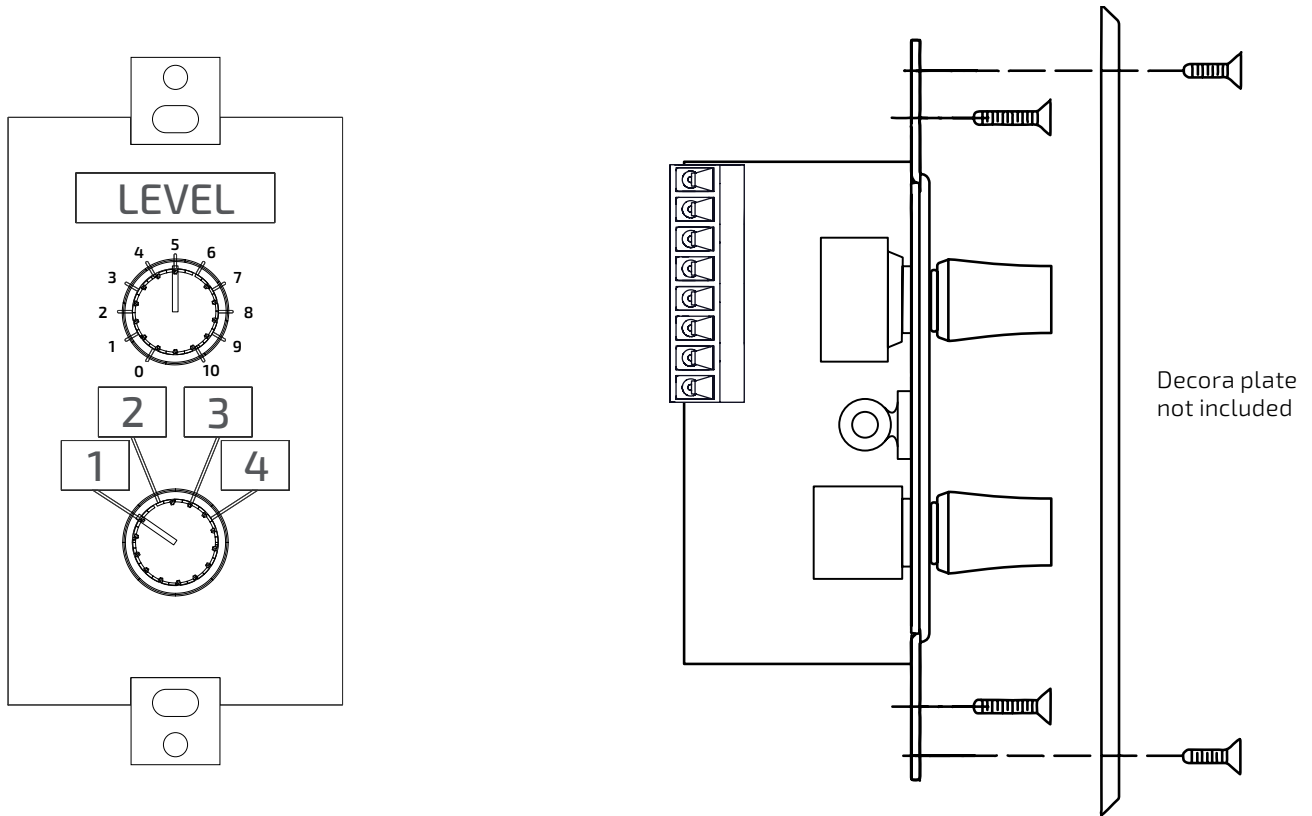


RP4/LC1

DSP REMOTE PRESET / LEVEL CONTROL DATA SHEET

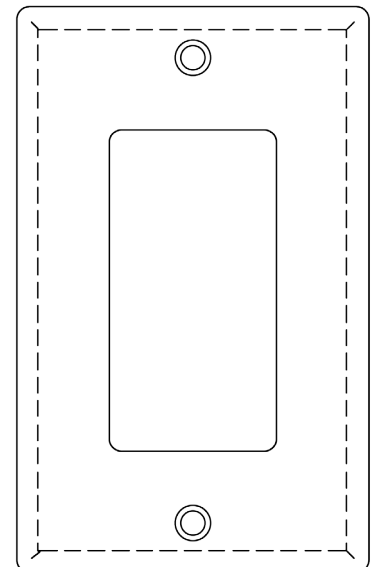
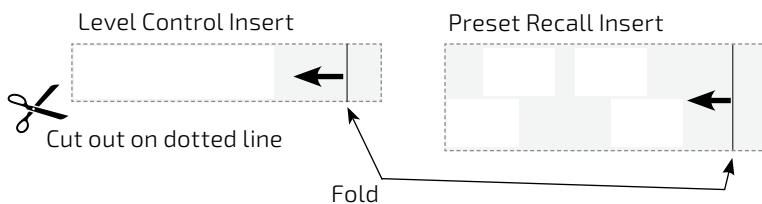


DESCRIPTION

The RP4/LC1 provides a simple solution to recalling presets from a remote location using the dSPEC226's Control Ports, and also allows for local level control. The RP4/LC1 is intended for use in Normal mode, allowing up to four presets to be recalled by rotating the Preset (lower) knob. Consult the Reference Manual of the dSPEC226 for details on Preset Recall and Level Control functions.

The unit is shipped with generic "LEVEL" and "1-4" labels, or you can customize the label blanks below. Write or type in the white spaces, cut them out, and insert them behind the control face.

Note: These instructions are available at communitypro.com as a pdf form. Download the pdf, open with Adobe Reader or Adobe DC (free pdf reading software), fill in the information below, print (actual size), then cut out the inserts and insert them behind the control face.



Decora™ Plate not included.
Decora is a trademark of Leviton.

RP4/LC1

DSP REMOTE PRESET / LEVEL CONTROL DATA SHEET

REMOTE MOUNTING AND WIRING

The RP4/LC1 remote assembly mounts in a standard U.S. electrical box with a minimum depth of 2.5".

Turn the power to the unit off until all connections are made. It is important to ensure that the Control Ports are not subjected to sustained voltages outside the range of 0 to 5 volts DC or high levels of static. Inputs are protected, however using caution is always advised. It is a good idea to install the wiring, connect it to the Remote and then make the final connections at the unit.

Fully insert each wire into the correct socket in the connector plug and fully tighten the screw. Fully seat the wired euroblock connector in the socket. Fit the remote assembly into the electrical box and use the flat head #6 screws supplied with the kit to secure. Install the Decora plate of your choice (not included).

Important Notes:

- When wiring to Euroblock connectors, use 22 gauge wire (minimum) for reliability
- Leaving the Ground or shield wire shorter acts as a strain relief for the others
- Cable with a flexible jacket is easier to use and is less likely to damage the connections
- Note the wire color of each input in order to facilitate correct wiring to the unit
- Wires should be free of nicks and have the cable jacket stripped back sufficiently to allow it to lie in the electrical box with the remote assembly inserted
- The +5 (REF) input location should only receive end voltage from **ONE (1)** dSPEC.

WIRE TYPES

You may use multi-conductor unshielded remote control signal cable for shorter runs (less than 200 ft.) or two 4-conductor (2 pair) shielded remote control signal cable (the shield can be used as the GND return) for longer runs (200 to 1000 ft.). The type of wire required is influenced by your installation and local electrical codes. Variations in wire type do not greatly affect the performance of the remote controls. Community Professional Loudspeakers does not provide or source cable. To purchase cable, please contact your local retail or wholesale outlet. Following is a short list of suitable cable types:

Consolidated Electronic Wire and Cable

- Plenum cable:
 - Unshielded remote control signal cable CAT. # 9896
 - Shielded remote control signal cable CAT. #9877, CAT. #9852

Weico Wire and Cable Inc.

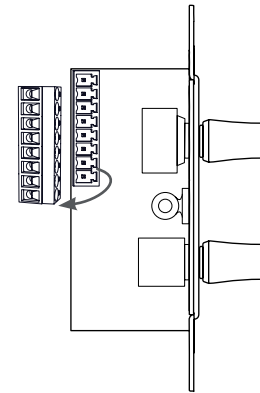
- Communication and control cable:
 - Multi-conductor, unshielded CAT. #7606

Alpha

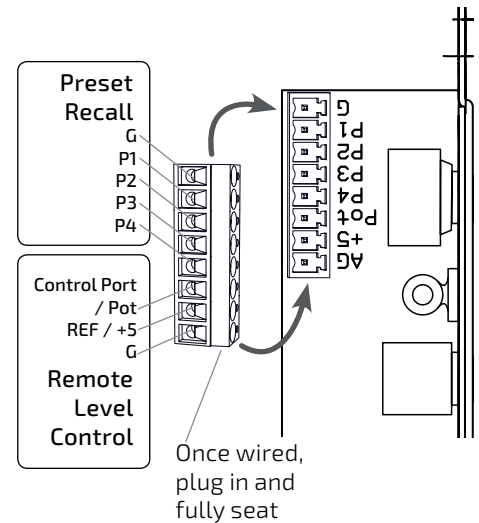
- Communication and control cable:
 - Multi-conductor, unshielded CAT. #1175C

Belden

- Unshielded remote control signal cable CAT. # 88741
- Shielded remote control signal cable CAT. # 88723



Carefully remove euroblock connector from control assembly



Control assembly enlarged with wiring detail