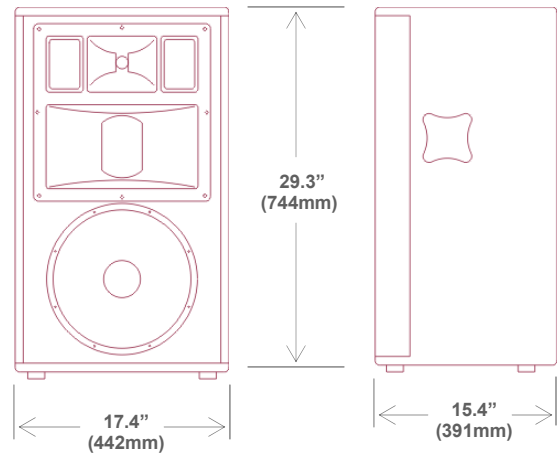


# Community

# S-SERIES

# S-3294

## THREE-WAY FULL-RANGE LOUDSPEAKER SYSTEM



### Description

The S-3294 is a three-way, ruggedly built full-range loudspeaker system suitable for a wide variety of portable usage and fixed installation work.

Featuring mid-range and high-frequency drivers loaded by geometrically correct hand-laid fiberglass waveguides, the S-3294 provides improved pattern control over that of two-way designs, making it ideally suited for use in difficult reverberant environments, as well as in long-throw outdoor applications.

Its exceptionally high power and low distortion enables it to handle the full gamut of musical styles from classical and jazz, to house, dance, trance and rock, all with ease.

Employing advanced technologies usually found only in the highest price touring systems, the S-3294 is characterized by tight, punchy bass, a smooth mid-range, and clear, detailed high frequencies.

Its carefully designed crossovers provide flat acoustic power response throughout the critical mid-range region, while its exclusive internal DYNA-TECH™ circuitry protects against abusive conditions. The S-3294 provides rental companies, Mobile DJs and professional musicians with superb results that belie its compact size and affordable price.

### Applications

- **Concerts**
- **Mobile DJ**
- **Theatre**
- **Touring**
- **Clubs**

### Features

**DYNA-TECH™**  
Dynamic Protection

**Switchable Bi-amp /**  
Single-amp Operation

**Switchable Music /**  
Speech Voicing

**Ferrofluid Treated**  
MF & HF Drivers  
Improves Cooling

**Non-Resonant, Non-**  
Metallic HF Diaphragm  
for Reduced Distortion

**Carbon Ring Cone**  
Technology Provides  
30% More Piston Area  
with Increased Excursion Capability

**Dual NL4 and Dual**  
1/4" Input / Output  
Connectors

### SYSTEM

**Format:** Three-way full-range, vented bass, switchable passive or bi-amp x-over. Rotatable fiberglass horn

**Operating Range:** 60 Hz - 20 kHz

**Frequency Response:** 90 Hz - 16 kHz (±3 dB)

**Dispersion (-6 dB):** 90° H x 40° V

**Maximum SPL @ 1m:** 123 dB continuous / 130 dB peak

**Crossover Frequency:** 800 Hz / 3 kHz

**Sensitivity in SPL:** 100 dB (100 Hz - 12,500 Hz, 1/3 octave)  
(1W/1m free space) 100 dB (250 Hz - 4 kHz, speech range)

**Max Power Handling:** 200W RMS  
(passive) 500W Program / 990W Peak

**Impedance (passive):** Nominal 8Ω / Min. 2.5Ω at 9.2 kHz

### TRANSDUCERS

**Low Frequency:** 12" (304mm) 200W RMS  
500W Program, 8Ω

**Mid-Frequency:** 6.5" (165mm) 100W RMS  
250W Program, 8Ω

**High Frequency:** 1" (25.4mm) 100W RMS  
125W Program, 4Ω

### MECHANICAL

**Enclosure:** 11-ply cross-laminated birch

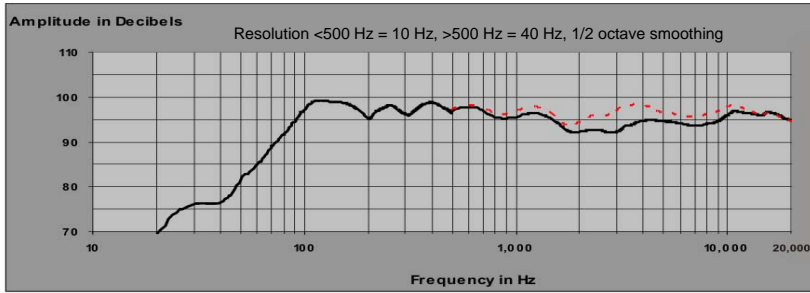
**Finish:** Black catalyzed polyester paint

**Rigging Provisions:** 10 - M10 threaded rigging fittings<sup>1</sup>  
(four on top, four on bottom, two on rear)

**Grille:** Steel, powder coated black

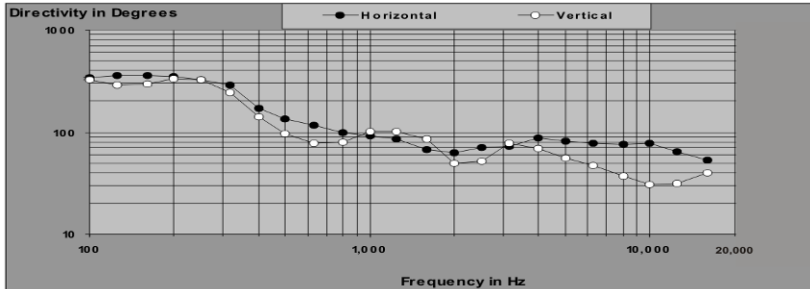
**Dimensions:** 29.3" (744mm) x 17.4" (442mm) x  
H x W x D 15.4" (391mm)

**Net Weight:** 53 lbs / 24 kg



### FREQUENCY RESPONSE

Note: Response may be altered by use of *Presence Switch*. The solid black line depicts the MUSIC position; the dotted red line depicts the SPEECH position.



### BEAMWIDTH

Note: Indicates Horizontal and Vertical Directivity Index in Degrees vs. Frequency.

Recommended Power: 400 to 525 WRMS<sup>1</sup> at 8Ω

Recommended High-Pass Filter: 60 Hz, 24 dB/octave

<sup>1</sup>WRMS = Watts Root Mean Square

## Accessories



**Padded Transport Covers**  
Protect your S-Series loudspeakers from scratches and mars.  
**Model CVR-S32**



### Eyebolt Kit

Suspend your S-Series loudspeakers safely and easily.  
**Model M10EYBLTKIT**

### Vertical Fly Kit

One kit lets you fly two S-Series enclosures in a splayed array; two kits let you fly three enclosures, and so on. **Model VFKIT**



### Seat Track Rigging Kit

The quick-release fittings get your S-Series enclosures up in the air and back down again, quickly and safely.  
**Model STKIT**



### Support Stand

Elevates a full-range S-Series loudspeaker using the subwoofer as the base.  
**Model SB5**



**Community Professional Loudspeakers, 333 East Fifth Street, Chester, PA USA 19013-4511**  
**TEL: 610-876-3400 • FAX: 610-874-0190 • www.communitypro.com**