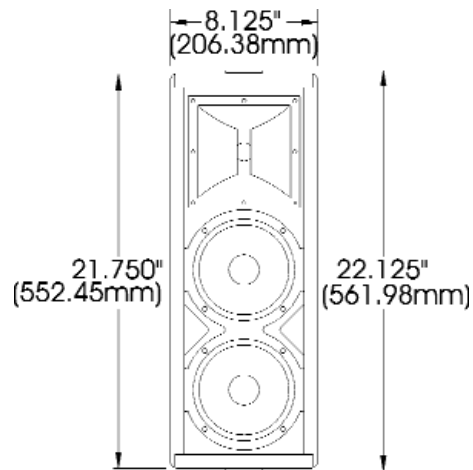


SPECIFICATIONS (See notes 1 and 2)

Loudspeaker Type:	2-way, Full-range
Operating Range:	85 Hz - 20 kHz 100 Hz - 16 kHz (+/-4dB)
Max Input Ratings:	300W continuous, 750W Program 49 volts RMS, 110 volts momentary peak
Recommended Power Amplifier:	630W to 900W @ 8 Ohms
Sensitivity 1W/1m:	92 dB SPL (125 Hz - 12500 Hz 1/3 octave bands) 92 dB SPL (250 Hz - 4 kHz speech range)
Maximum Output:	117 dB SPL / 124 dB SPL (peak)
Nominal Impedance:	8 Ohms
Min Impedance:	3.5 Ohms @ 12830 Hz
Nominal -6dB Beamwidth:	120° H (+16° / -24°, 1 kHz - 12.5 kHz) 60° V (+24° / -8°, 1 kHz - 12.5 kHz)
Axial Q / DI:	8.6 / 9.3, 1 kHz - 12.5 kHz
Crossover Frequency:	2 kHz
Recommended Signal Processing:	None
Drivers:	LF (2) 6.5" HF (1) UC-1 Compression Driver, Ferrofluid-cooled
Driver Protection:	IntelliSense™
Input Connection:	(2) Neutrik NL4MP (1) terminal barrier strip
Controls:	None
Enclosure:	13-ply 18 mm Baltic birch, Polene painted (black or white exterior)
Enclosure Hardware:	None
Mounting / Rigging Provisions:	(6) 1/4-20 hanging point inserts 3 top 3 bottom (4) 1/4-20 on rear for mounting plate (5) 1/4-20 on bottom for mounting plate
Grille:	16 gauge perforated steel
Required Accessories:	None
Supplied Accessories:	(1) Steel Yoke bracket
Dimensions:	
Height:	21.75 in. / 552 mm
Width (front):	8.13 in. / 207 mm
Width (rear):	4.25 in. / 108 mm
Depth:	8.7 in. / 221 mm
Weight:	33 lb. / 15 kg
Shipping Weight:	38 lb. / 17.2 kg

1. Sensitivity: Free field pink noise measurement at 20 ft / 6.1 m at 35% power; extrapolated to 1 meter and an input of 2.83 volts RMS.

2. Watts: All wattage figures are calculated using the rated nominal impedance.

**APPLICATIONS:**

- A/V Systems, Retail Environments
- Theater and Concourse Systems
- Restaurant, Club and Karaoke
- Supplementary House of Worship

FEATURES:

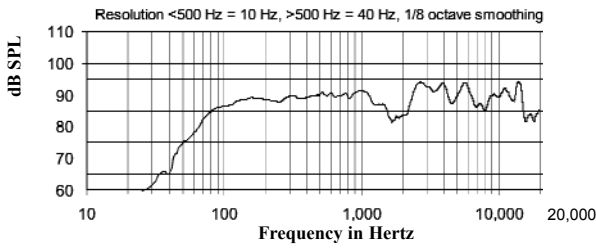
- Attractive black or white exterior
- Compact design
- High sensitivity
- Musical, full-range output
- Switchable 8 ohm / 70/100V operation
- Supplied steel yoke bracket
- Extensive mounting point options

DESCRIPTION

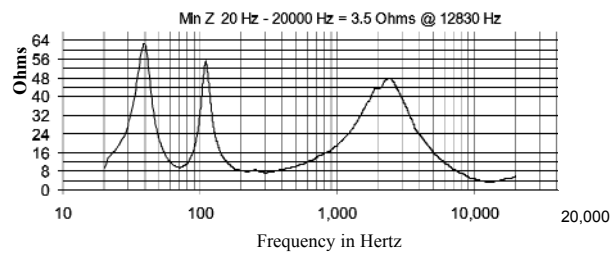
The STS26 is an outstanding loudspeaker system delivering excellent musical full range response in a compact, attractive enclosure. The higher sensitivity and robust of the STS systems permit the designer to provide higher level, low distortion operation within an unobtrusive narrow silhouette.

The STS26 is available in white or black paint with matching grille backing over a 16 gauge steel grille. A choice of 8 ohm or 70/100V operation, supplied steel mounting bracket and multiple mounting points makes it a highly versatile offering. The Ferrofluid-cooled high frequency driver, dual matched 6-1/2" low frequency speakers and built in protection circuitry insure years of worry-free operation.

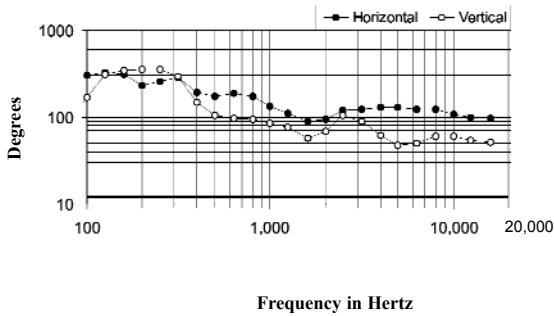
Frequency Response



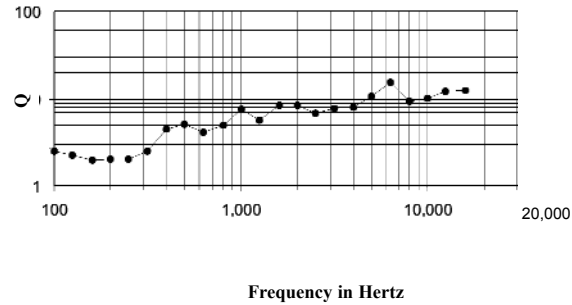
Impedance



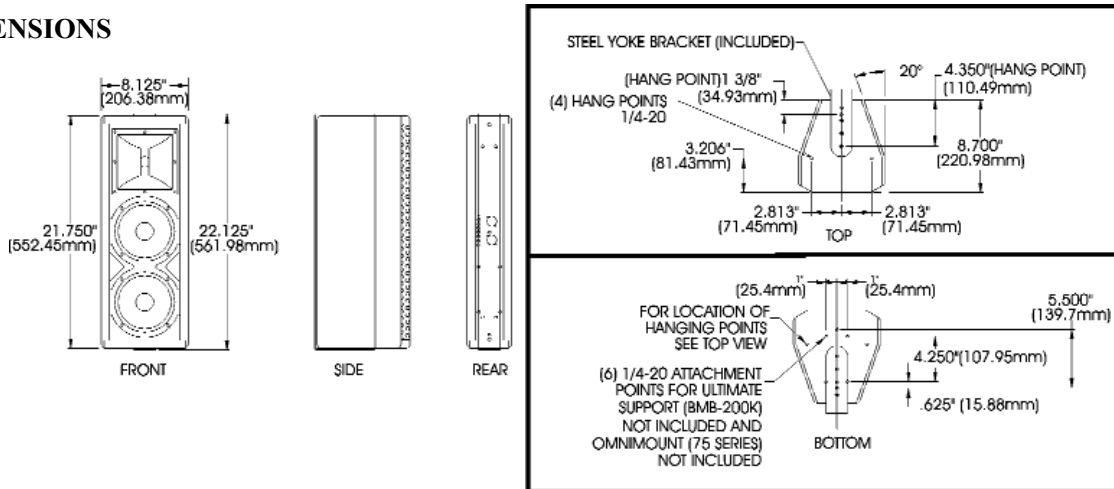
Beamwidth



Axial Q



DIMENSIONS



ARCHITECTS AND ENGINEERS SPECIFICATIONS

The loudspeaker system shall be a horn-loaded, two-way, design consisting of two 6.5" low frequency drivers and one Ferrofluid-cooled high frequency UC-1 compression driver mounted on a 120B x 60B horn. The drivers shall be connected to a passive crossover network with a crossover frequency at 2 kHz. The cabinet shall be a 13-ply 18mm Baltic birch enclosure with a 16 gauge perforated steel grill with non-cloth backing. The input connections shall be one terminal barrier strip, and two Neutrik NL4MP jacks for switchable 70/100V or 8 ohm operation. The enclosure shall incorporate three 1/4 -20 hanging point inserts on the top of the loudspeaker and three on the bottom, four 1/4-20 inserts on the rear for user-supplied mounting plate, and five 1/4 -20 inserts on bottom for user-supplied mounting plate. The loudspeaker will be supplied with one steel yoke bracket with hardware. The loudspeaker system shall have an amplitude response of 100 Hz -16 kHz (+/- 4 dB SPL), an input capacity of 49V RMS, 92 dB SPL sensitivity @ 2.83 V / 1 meter between 125 Hz -12.5 kHz at a nominal 8 Ohm impedance. The nominal dispersion shall be 120° x 60° over a frequency range of 1 kHz to 12.5 kHz. The dimensions of the enclosure are defined as 21.75" x 8.13"(4.25" rear) x 8.7" (HWD). It weighs 33 lbs.