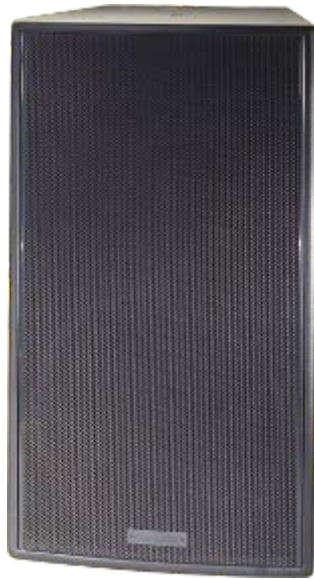


Community



Description

The VERIS 3594 is a three-way, full-range loudspeaker system suitable for use in a wide spectrum of fixed installations.

Featuring horn loaded mid-range and high-frequency drivers, the 3594 provides improved pattern control over two-way designs, making it well suited when intelligibility and musical clarity prove challenging, such as in large, reverberant spaces. The 90° x 40° pattern provides controlled coverage, particularly useful in rooms that are wider than they are deep.

Extremely powerful with exceptionally low distortion, the VERIS 3594 is ideal for applications such as contemporary worship services, music and dance clubs, theatrical sound reinforcement, and other demanding work.

Its trapezoidal design allows it to be clustered with like units, forming powerful arrays.

The enclosure may be suspended from its M10 threaded rigging points using a variety of hardware available from stock, or it may be installed with an OmniMount™ 60 series mounting device.

Featuring extended high frequency response, low distortion output, a tight, punchy bass response, and precise pattern control, the VERIS 3594 is a versatile performer for use in music and speech applications that require high quality, high power sound reinforcement at an affordable price.

Applications

- Houses of Worship
- Clubs & Discos
- Theatres
- Performing Arts Centers
- Gymnasiums
- Fitness Centers

Features

Internal DYNA-TECH™ Dynamic Driver Protection Circuitry

Black or White Finish Available

Rotatable Horn

Ferrofluid Treated HF Driver for Improved Heat Dissipation

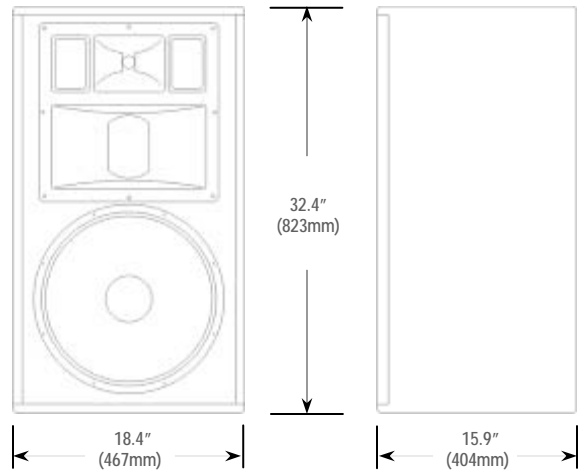
Non-Resonant, Non-Metallic HF Diaphragm for Reduced Distortion

Carbon Ring Cone Technology Provides 30% More Piston Area with Increased Excursion Capability

Terminal Strip and NL4 Compatible Connectors

VERIS 3594

THREE-WAY FULL-RANGE LOUDSPEAKER SYSTEM



SYSTEM

Format: Three-way full-range, vented bass, trapezoidal enclosure

Operating Range: 55 Hz - 18 kHz

Frequency Response: 70 Hz - 13 kHz (± 4 dB)

Dispersion (-6 dB): 90° H x 40° V (in vertical position)

Crossover Frequencies: 800 Hz / 3 kHz

Maximum SPL @ 1m: 122 dB continuous / 129 dB peak

Sensitivity in SPL: 99 dB (100 Hz - 12.5 kHz, 1/3 octave)
99 dB (250 Hz - 4 kHz, speech range)

Max Power Handling: 200W RMS (40V)
500W Program / 990W Peak

Impedance: Nominal 8Ω / Min. 2.5Ω at 9.9 kHz

Connectors: Terminal Strip and NL4 Compatible

TRANSDUCERS

Low Frequency: 15" (304mm) 200W RMS
500W Program, 8Ω

Mid Frequency: 6.5" (165mm) 100W RMS
250W Program, 8Ω

High Frequency: 1" (25.4mm) 50W RMS
125W Program, 4Ω

MECHANICAL

Enclosure: Trapezoidal (22.5° included angle)
11-ply cross-laminated birch

Finish: Black or white catalyzed polyester paint (specify at time of ordering)

Rigging Provisions: (13) M10 threaded rigging fittings¹
(4) M8 threaded fittings for
OmniMount™ 60 bolt pattern

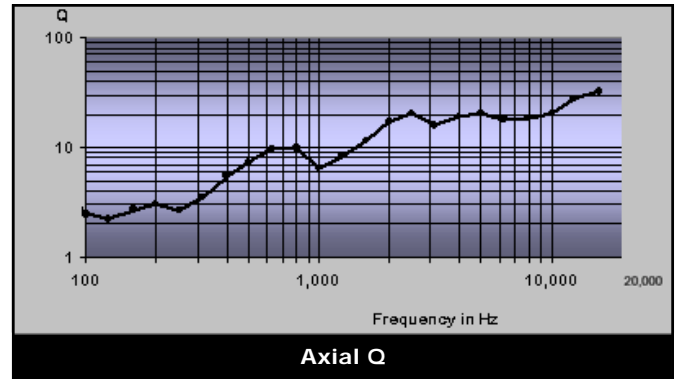
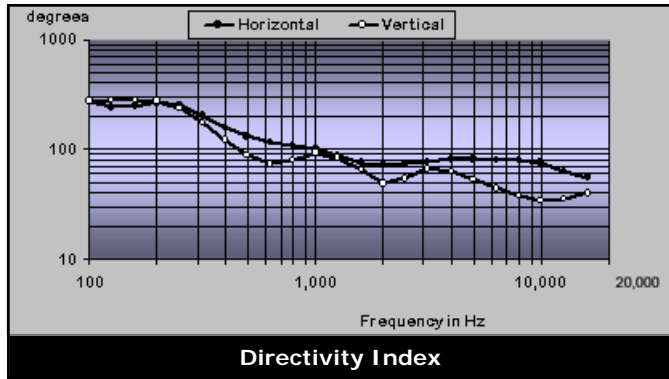
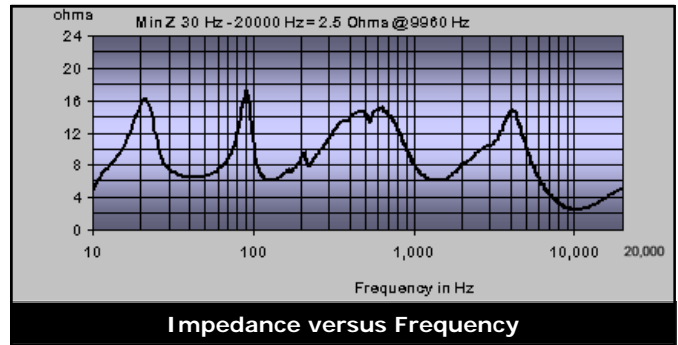
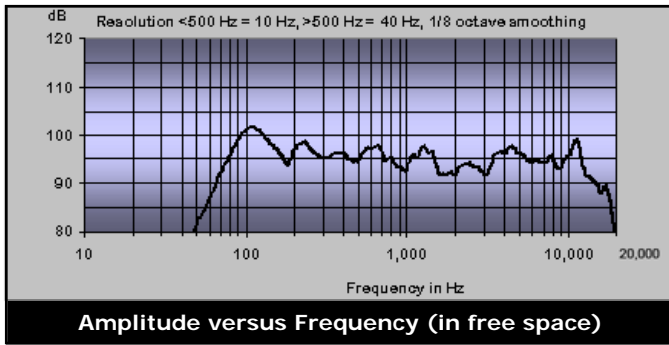
Grille: Powder coated steel, black or white

Dimensions: 32.4" (823mm) x 18.4" (467mm) x
H x W x D 15.9" (404mm)

Net Weight: 58 lbs / 26.3 kg

VERIS 3594

THREE-WAY FULL-RANGE LOUDSPEAKER SYSTEM



Recommended Power: 420 - 600 WRMS at 8Ω

Recommended High-Pass Filter: 60 Hz*

*24 dB / octave or higher

Installation Accessories



Seat Track Kit
Quick and easy way to fly VERIS enclosures.

Vertical Fly Kit
One kit arrays two enclosures; two kits array three enclosures, and so on.



Tilting Bracket
Allows precise angling of a VERIS loudspeaker.



Yoke Bracket
Provides 0°, 10°, & 20° inclination to wall surface.



Tilting Brackets
Multiple brackets may be used to position one loudspeaker below another.



Eyebolt Kits
Suspend VERIS enclosures safely and easily.



Ceiling Mount Kit
Derives a hang point from a ceiling surface.

Community Professional Loudspeakers, 333 East Fifth Street, Chester, PA USA 19013-4511
TEL: 610-876-3400 · FAX: 610-874-0190 · www.communitypro.com