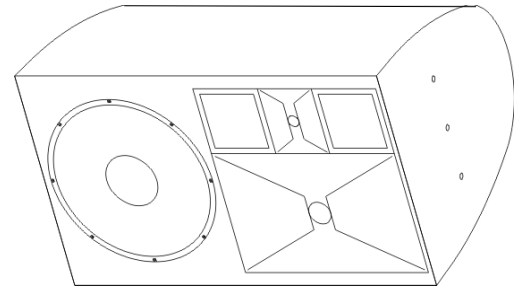


Community

W2-315-64H

WET SERIES II FULL-RANGE 3-WAY, 15-INCH



Description

The W2-315-64H is a large format single 15-inch, three-way loudspeaker system engineered for use in permanent installations requiring the ultimate in extreme weather-resistance.

Community's precision passive frequency dividing networks minimize band overlap through the use of high order filters which maintain linear phase response characteristics

The HF driver uses a Community proprietary 1" exit, non-metallic diaphragm and a proprietary 2" exit MF driver with an environmentally inert diaphragm. The 15" LF driver utilizes a carbon fiber cone. Ferrofluid fills the voice coil gaps to prevent gap corrosion as well as to improve thermal power handling and reduce power compression.

Power handling is 200W RMS, 500W .

The loudspeaker enclosure and faceplate are constructed of multi-layer glass composite, providing extreme structural strength. A three-layer Weather-Stop™ grille provides weather-resistance to the internal components, while all exposed hardware is stainless steel or powder-coated aluminum extrusion. Six 1/2-13 mounting points are positioned on the sides of the enclosure (three on each side).

The W2-315-64H is backed by a five-year product warranty plus a fifteen-year enclosure warranty.

Applications

- Stadium Fascia
- Theme and Amusement Parks
- Outdoor Entertainment Centers
- Cruise Ships
- Public Address
- Music Pavilions
- Musical Fountains

Features

All-Weather, Multilayer Glass Composite Enclosure

Stainless Steel Hardware

Integral Mounting Points

Ferrofluid-Cooling

Dual-layer Powder Coated Weather-Resistant Stainless Steel Grille

Available in Black or White Finishes

SYSTEM

Format: Three-way, full-range

Operating Range: 60 Hz - 18 kHz

Frequency Response: 70 Hz - 15 kHz (±3 dB)

Dispersion (-6 dB): 60° H x 40° V

Maximum SPL @1m: 123 dB continuous / 130 dB peak

Crossover Frequency: 600 Hz / 3.5 kHz

Sensitivity in SPL: 100 dB (100 Hz - 13 kHz, 1/3 octave)
(1W/1m, free space) 100 dB (250 Hz - 4 kHz, speech range)

Max Power Handling: 200W RMS, 500W Program

Impedance: Nominal 4Ω / Min. 4.6Ω at 510 Hz

TRANSDUCERS

Low Frequency: 1 x 15" (381 mm)

Mid-Frequency: 1 x 2" Community M200

High Frequency: 1 x 1" exit

MECHANICAL

Enclosure: Hand-laminated fiberglass

Finish: Black or white gelcoat

Rigging Provisions: Six 1/2-13 rigging points

Input Connection: 16-2 SJOW (12 ft / 4m)

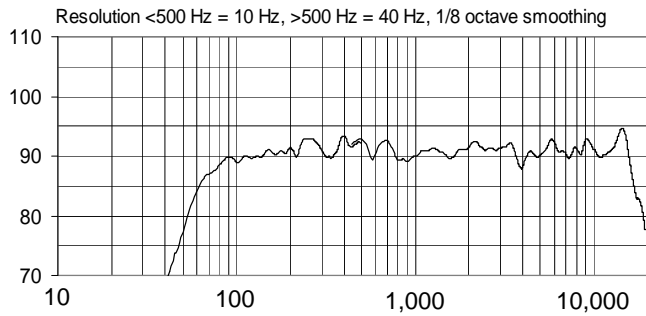
Grille: Three-layer Weather-Stop™

Dimensions: 19.38" (492 mm) x 33.63" (854 mm) x 21" (533 mm)
H x W x D

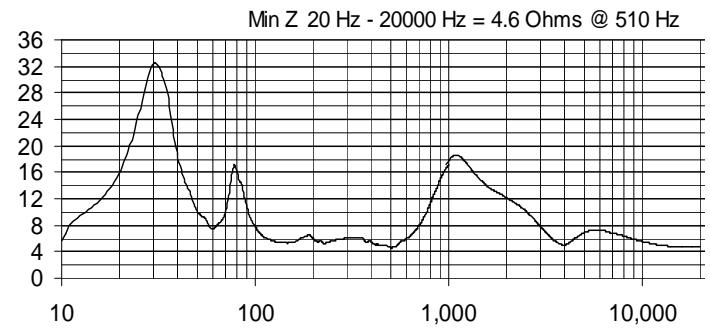
Net Weight: 89.8 lbs (40.7 kg)

Recommended signal processing available at communitypro.com.

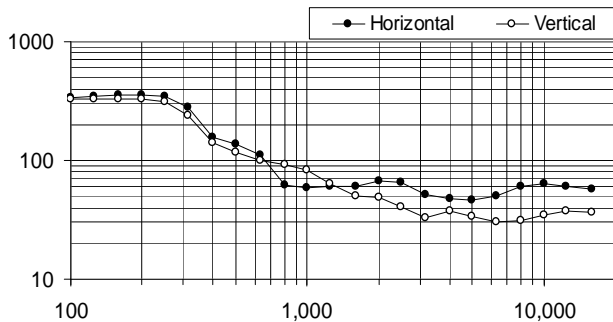
FREQUENCY RESPONSE



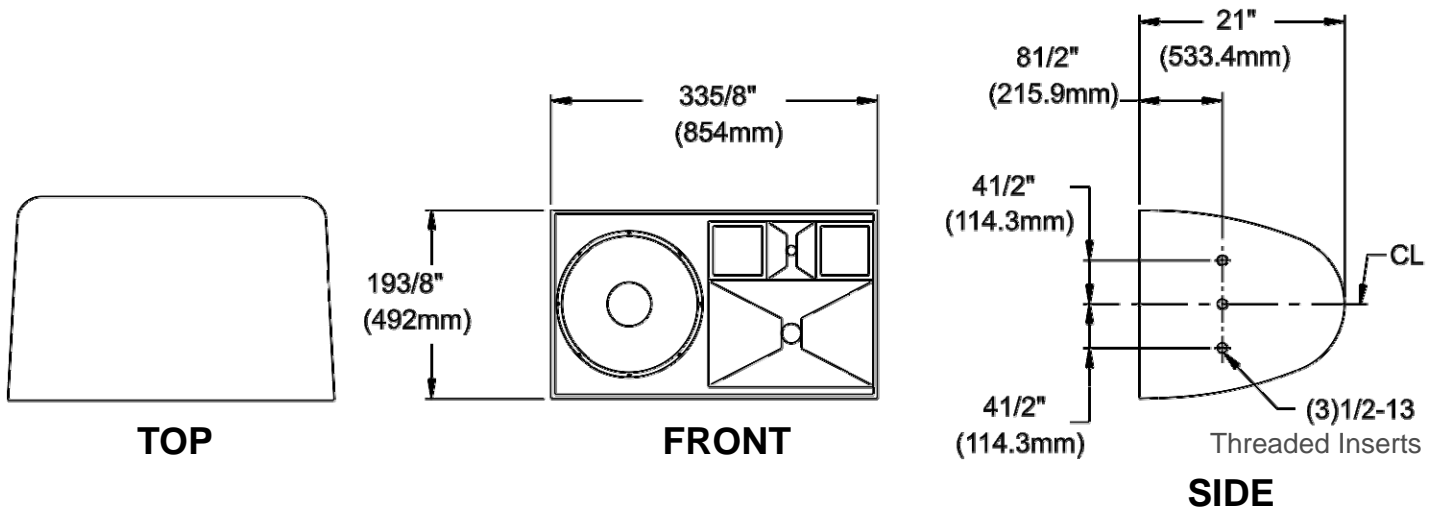
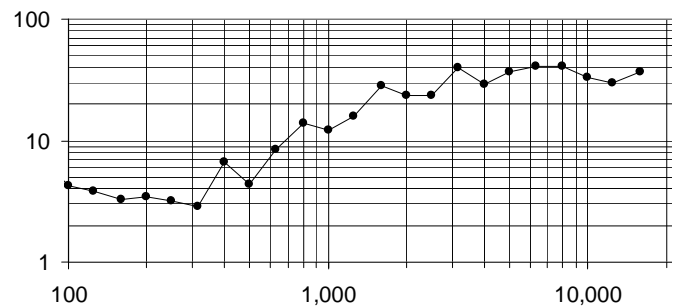
IMPEDANCE



BEAMWIDTH



AXIAL Q



Architects' and Engineers' Specifications

The loudspeaker shall be a three-way, weather-resistant design with one 15-inch carbon fiber cone LF, one 2-inch exit low compression non-metallic diaphragm midrange driver and a 1-inch exit non-metallic diaphragm HF driver. The drivers shall be mounted on a one-piece fiberglass composite baffle. The crossover shall have a crossover frequency of 600 Hz / 3.5 kHz. The crossover shall use high quality 250V film capacitors and low ESR inductors. The one-piece loudspeaker enclosure shall be constructed of hand-laminated fiberglass composite with six integral 1/2-13 threaded mounting points. The system shall meet the following performance criteria: Amplitude response of 70 Hz to 15 kHz (± 3 dB), 200 watts RMS power handling, 100 dB SPL sensitivity at 1 meter with 1 watt applied. The nominal system impedance shall be 4 ohms. Nominal horn coverage pattern shall be 60° H x 40° V. Dimensions shall be 19.38 in. (492.3 mm) high, 33.63 in. (854.2mm) wide, 21 in. (533.4 mm) deep with a weight of 89.8 lbs (40.7 kg).

Community strives to improve its products on a continual basis. Specifications are therefore subject to change without notice.