



PROFESSIONAL LOUDSPEAKERS

WET215-99H

2-WAY WEATHER RESISTANT LOUDSPEAKER

SPECIFICATIONS

- Loudspeaker Type:** Two-way, full-range
Operating Range: 50 Hz to 18 kHz
 70 Hz to 17kHz (+/-4dB)
Power Handling (Passive): 200W RMS; 500W Program
 40V RMS, 89V momentary peak
Power Handling (Bi-amp): LF: 200W RMS; 500W Program
 HF: 80W RMS; 160W Program
Recommended Power Amplifier:
 420W to 600W @ 8 Ohms
Sensitivity (1 Watt / 1 Meter):
 100 dB SPL (80Hz - 12.5kHz 1/3 octave bands)
 102 dB SPL (250Hz - 4kHz speech range)
Nominal -6dB Beamwidth:
 90° H (+1°/-40°, 1.6 kHz - 12.5kHz)
 90° V (+46°/+31°, 1.6 kHz-12.5 kHz)
 100° H x 100° V (650Hz)
Axial Q/DI: 11.1/10.5, 1.6 kHz - 12.5 kHz
Nominal Impedance: (Passive) 8 Ohm
 (Bi-amp) LF 8 Ohm, HF 8 Ohm
Crossover Frequency: 1.5kHz
Recommended Signal Processing: 60Hz High pass filter
Components:
LF: 1 x 15" carbon fiber cone cast frame LF driver
 200W RMS, 500W program, operating range is 50-600Hz
HF: B&C DE700 1.5" exit throat driver, 8 ohm, 80W continuous,
 160W program, Operating range 1.5kHz - 17kHz
Maximum Continuous Level: 123dB SPL, 130dB Peak
Input Connection: 12' (4m) 16-2 SJOW Cable,
 dual cables when biamplified
Enclosure Material: Hand-laminated multi-layer glass composite,
 black gelcoat
Grille: 3 Layer Weather-Stop™
Mounting: Six 1/2 - 13 Threaded Inserts
Supplied Accessories: (6 ea.) 1/2-13x1" Stainless steel bolts
 (6 ea.) Stainless steel lock and flat washers
Optional Accessories: Digital Speaker Controller
 Special Order Mounting Yoke -
 Contact the factory for information

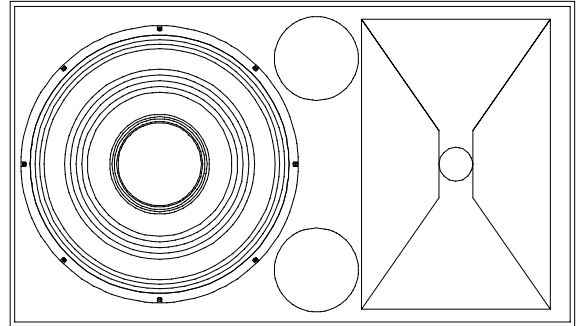
Dimensions:

- Height:** 19.38 inches (492.3 mm)
Width: 33.63 inches (854.2 mm)
Depth: 21 inches (533.4 mm)
Weight: 115 lbs. (52 kg)

- Sensitivity:** Freefield pink noise measurement at 40' at 45% power;
 extrapolated to 1 meter and an input of 2.83 volts RMS.
- Watts:** All wattage figures are calculated using the rated nominal impedance.

DESCRIPTION

The WET215-99H is a two-way system designed to provide high quality music and voice reproduction in applications requiring extreme weather resistance. It uses a unique blend of advanced technologies to both enhance its ability to withstand long term exposure to tough environmental conditions and provide the uncompromising performance normally associated only with indoor loudspeakers. The enclosure and driver baffle are each molded as one-piece using 100% hand-laminated multi-layer glass composites, providing extreme structural strength. The HF driver uses a 3" titanium diaphragm. The LF driver has an environmentally inert carbon fiber cone. A 3-layer Weather- Stop™ grille of stainless steel mesh and open cell foam provides physical protection and prevents water intrusion. All exposed hardware is stainless steel or aluminum. The WET215-99H has a 15" LF and a 1.5" exit HF compression driver. The WET215-99H frequency range is from 50 Hz to 18 kHz with a 100 dB SPL 1W / 1m sensitivity and a maximum continuous broadband output of 123dB SPL/130dB SPL peak. Power handling is 200W RMS, 500W program when optioned with the high-power passive crossover. Six integral 1/2-13 mounting points on the sides of the enclosure mate with a special order yoke-type bracket.



APPLICATIONS:

- Waterparks, Theme and Amusement Parks
- Outdoor Entertainment Centers
- Swimming Pools
- Cruise Ships
- Music Pavilions
- Stadium Fill
- Musical Fountains

FEATURES:

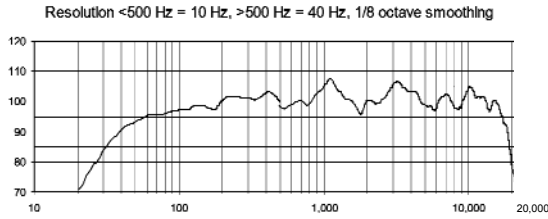
- All-weather, Multi-layer Glass Composite Enclosure
- Stainless Steel Hardware
- Integral Mounting Points
- High Power Passive Crossover or Active Bi-amp Model
- Weather-Stop™ Grille

COMMUNITY PROFESSIONAL LOUDSPEAKERS

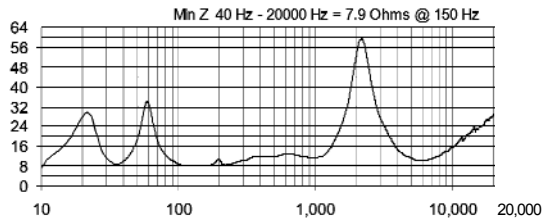
333 East 5th Street, Chester, PA USA 19013-4511 TEL (610) 876-3400 FAX (610) 874-0190

www.loudspeakers.net

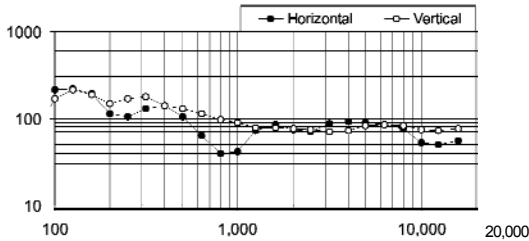
Frequency Response



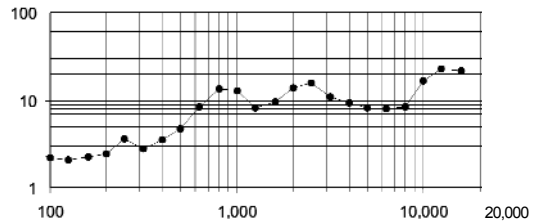
Impedance



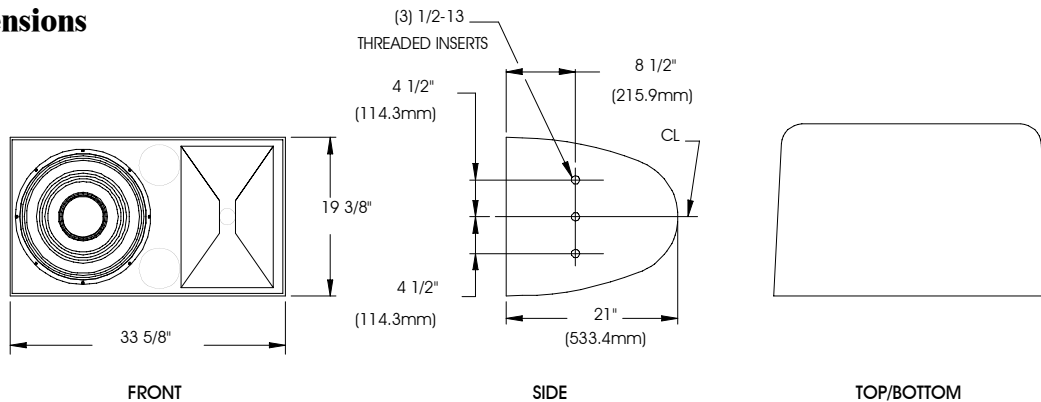
Beamwidth



Axial Q



Dimensions



ARCHITECTS AND ENGINEERS SPECIFICATIONS

The loudspeaker shall be a two-way, weather-resistant design with one 15" carbon fiber cone LF driver and a 1.5" exit titanium diaphragm HF driver. The drivers shall be mounted on a one-piece multi-layer glass composite baffle. The passive crossover version shall use high quality 250V film capacitors, low ESR inductors, and high positive current coefficient resistors (HPCCRs) for component protection. The one-piece loudspeaker enclosure shall be constructed of hand-laminated multi-layer glass composite with six integral 1/2-13 threaded mounting points. The system shall meet the following performance criteria: Amplitude response of 50 Hz to 18 kHz, 200 watts RMS power handling, 100 dB SPL sensitivity at 1 meter with 1 watt applied. The nominal system impedance shall be 8 Ohms for the passive crossover version. The bi-amp version shall be 8 Ohms LF, and 8 Ohms HF impedance. Nominal horn coverage pattern shall be 90°x 90° (H x V). Dimensions shall be 19.38 inches (492.3 mm) high, 33.63 inches (854.2 mm) wide, 21 inches (533.4mm) deep with a weight of 115lbs (52 kg.)

LIMITED WARRANTY

Community loudspeaker systems are guaranteed to be free from defects in materials and workmanship for a period of five years from the original date of sale. For complete warranty information, refer to our website at www.loudspeakers.net or call (610) 876-3400 for a copy.