

AF CB CP CS CV HD HS R SL **WE** XE XL

SPECIFICATIONS (See notes 1 to 3)

Loudspeaker Type: 2-way, wide angle, weather resistant

Operating Range: 80 Hz - 16 kHz
100 Hz - 15 kHz (+/-4dB)

Max Input Ratings:

200W continuous, 500 W program
28 volts RMS, 63 volts momentary peak
Recommended Power Amplifier: 420W to 600W @ 4 Ohms

Sensitivity 1W/1m: 95 dB SPL (80 Hz - 16 kHz 1/3 octave bands)
96 dB SPL (250 Hz - 4 kHz speech range)

Maximum Output: 118 dB SPL / 125 dB SPL (peak)

Nominal Impedance: 4 Ohms

Min Impedance: 4.5 Ohms @ 340 Hz

Nominal -6dB Beamwidth: ³

70° - 120° H (+20° / -12°, 1.6 kHz - 8 kHz)
75° V (+0°, - 75°) (+17° / -25°, 1.6 kHz - 8 kHz)

Axial Q / DI: 9.1 / 9.6, 1.6 kHz -8 kHz)

Crossover Frequency: 2 kHz

Recommended Signal Processing:

70 Hz high pass filter

Drivers:

LF (2) 8" weather-treated, Ferrofluid-cooled
HF (1) 1" exit, titanium diaphragm

Driver Protection: PowerSense™ DDP

Input Connection: 4 foot (1.2m) SJOW #16 Gauge

Controls: None

Enclosure: Hand-laminated fiberglass, gray gel-coat

Mounting / Rigging Provisions:

(2) 1/2-13 rigging points

Grille: Perforated steel, weather-resistant black powder coated

Required Accessories:

None

Supplied Accessories:

(2) 1/2-13 x 1" stainless steel bolts
(2 ea.) Stainless steel lock & flat washers, rubber washers

Optional Accessories:

None

Dimensions:

Height: 9.5 in. / 241 mm
Width: 26.5 in. / 673 mm
Depth: 14 in. / 356 mm

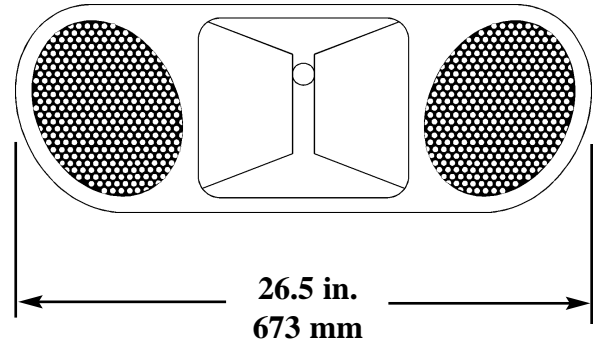
Weight: 33.5 lb. / 15.2 kg

Shipping Weight: 38 lb. / 17.2 kg

1. Sensitivity: Free field pink noise measurement at 40 ft / 12.2 m at 50% power; extrapolated to 1 meter and an input of 2 volts RMS.

2. Watts: All wattage figures are calculated using the rated nominal impedance.

3. Beamwidth: Measured at 40° down-angle for nominal 105° horizontal beamwidth.



APPLICATIONS:

- Stadium Underbalcony Fill
- Theme Parks / Waterparks
- Outdoor Entertainment Centers
- Cruise Ships / Swimming Pools

FEATURES:

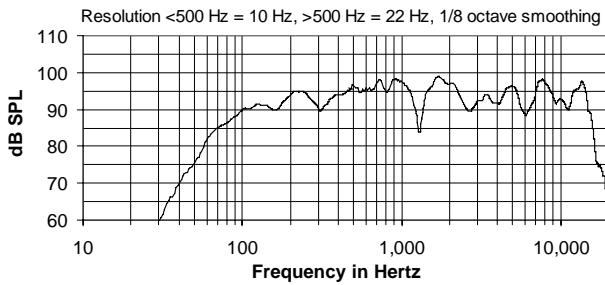
- Unique Asymmetrical Coverage Pattern
- All-weather, all-fiberglass enclosure
- Weather resistant drivers
- Stainless steel hardware
- Integral mounting points
- High power passive crossover

DESCRIPTION

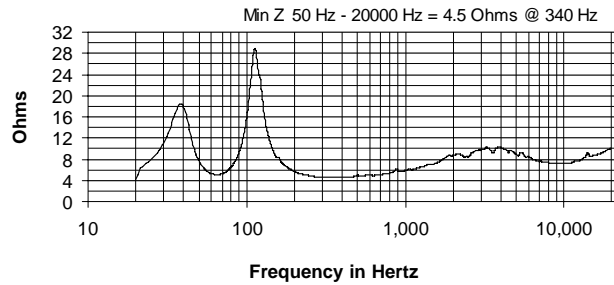
The Community WET2V8 loudspeaker is a two full-range loudspeaker system designed to provide high quality music and voice reproduction in applications requiring extreme weather-resistance in a compact, low-profile package. Engineered for use in permanent installations, the loudspeaker enclosure and faceplate are each constructed as one piece of hand-laminated fiberglass.

The WET2V8 has a unique asymmetrical HF dispersion pattern. Vertically it is designed to project from 0° on axis to over 75° downward. The horizontal dispersion varies from 70° on axis to 120° virtually underneath the speaker. This can provide more uniform HF coverage such as for the typical underbalcony stadium fill application. The LF cones are specially treated for weather resistance. All drivers are Ferrofluid-cooled. PowerSense Protection circuitry protects against excessive power. Five year limited warranty.

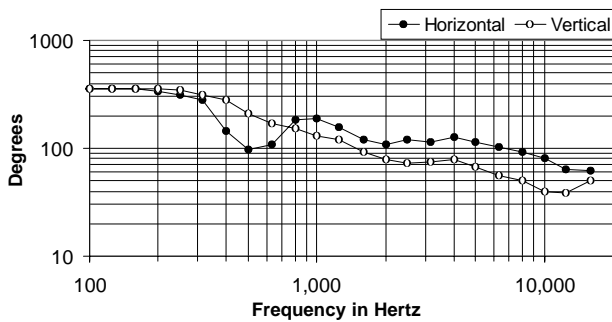
FREQUENCY RESPONSE



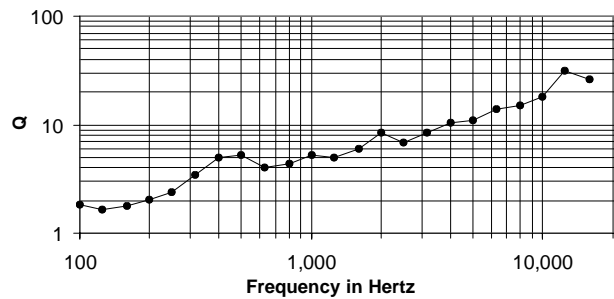
IMPEDANCE



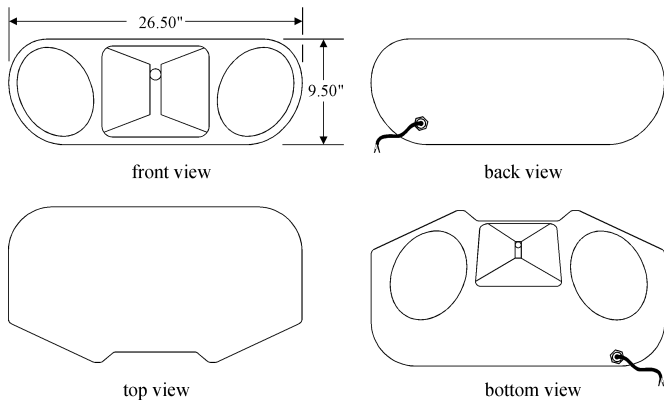
BEAMWIDTH (AT 40° DOWN FROM 0° AXIS)



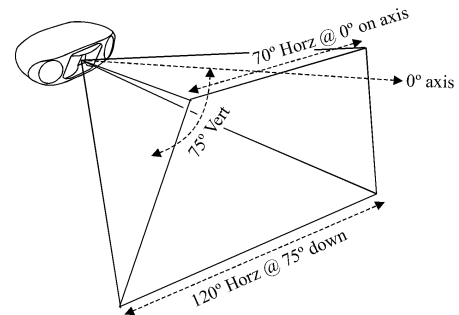
AXIAL Q



DIMENSIONS



DISPERSION



ARCHITECTS' AND ENGINEERS' SPECIFICATIONS

The loudspeaker system shall be a two-way, full range, asymmetrical weather-resistant design with two 8 in. weather treated low frequency woofers on an integral fiberglass waveguide and one 1 in. exit high frequency driver with a titanium diaphragm mounted on an integral high frequency fiberglass horn. Drivers shall be connected to an integral crossover with crossover frequency of 2 kHz and integral over-current protection circuitry using high positive current coefficient resistors. The input connection shall be one 4 ft (1.2m) SJOW #16 gauge cable with stripped ends. The loudspeaker enclosure shall be of molded reinforced fiberglass with a 16 gauge perforated steel grille backed by open cell foam and a 100 x 100 wire sq. in. stainless steel mesh. There shall be two 1/2 - 13 rigging points. The system shall have an amplitude response of 80 Hz - 16 kHz (+/- 4 dB), input capability of 28 volts RMS, 95 dB sensitivity at one meter / 2 V / 4 ohms nominal impedance. The nominal dispersion shall be 70° H x 75° V from 1.6 kHz - 8 kHz. The loudspeaker shall be 9.5 in. (241 mm) H x 26.5 in. (673 mm) W x 14 in. (356 mm) D and weigh 33.5 lb. (17.2 kg.).