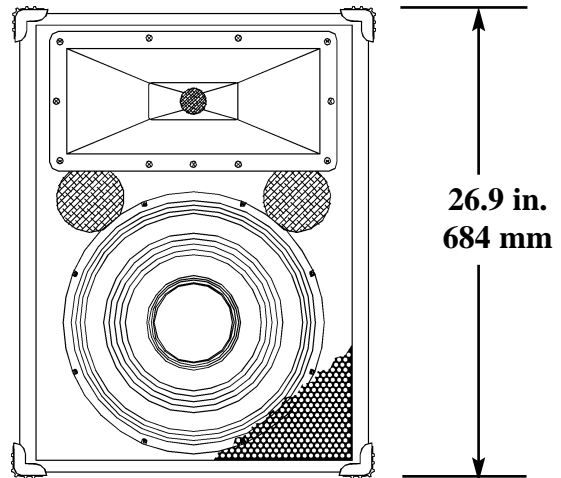


## SPECIFICATIONS (See notes 1 and 2)

**Loudspeaker Type:** 2-way, Full-range, bass ported  
**Operating Range:** 50 Hz - 18 kHz, 50 Hz - 18 kHz (+/-5dB)  
**Max Input (Passive):**  
 200W continuous, 500W program  
 40 volts RMS, 89 volts momentary peak  
**Recommended Power Amp:** 420W to 600W @ 8 Ohms  
**Max Inputs (Biamp):**  
 LF: (Same as for Passive mode)  
 Recommended LF Power Amp: (Same as for Passive mode)  
 HF: 50W continuous, 125W program  
 20 volts RMS, 45 volts momentary peak  
 Recommended HF Power Amp: 100W to 150W @ 8 Ohms  
**Sensitivity 1W/1m:**  
 98 dB SPL (50 Hz - 16 kHz 1/3 octave bands)  
 98 dB SPL (250 Hz - 4 kHz speech range)  
**Maximum Output:** 121 dB SPL / 128 dB SPL (peak)  
**Nominal Impedance (passive):** 8 Ohms  
**Min Impedance:** 5.3 Ohms @ 190 Hz  
**Nominal Impedances (Biamp):** LF: 8 Ohms, HF: 8 Ohms  
**Nominal -6dB Beamwidth:**  
 80° H (+0° / -26°, 2 kHz - 10 kHz)  
 35° V (+16° / -9°, 2 kHz - 10 kHz)  
**Axial Q / DI:**  
 21.2 / 13.3, 2 kHz - 10 kHz  
**Crossover Frequency:** 2 kHz  
**Recommended Signal Processing:** 40 Hz high pass filter  
**Drivers:**  
 LF (1) 15", Ferrofluid-cooled  
 HF (1) 1" exit, titanium diaphragm  
**Driver Protection:** PowerSense™ DDP  
**Input Connection:** (2) Neutrik NL4MP  
 (2) 1/4 inch jacks  
**Controls:** Passive / Biamp switch, 2 position HF level switch  
**Enclosure:** Black carpet covered Oriented Strand Board  
**Enclosure Hardware:**  
 (2) Steel recessed bar-handles  
 (8) Interlocking corner protectors  
**Mounting / Rigging Provisions:**  
 (4) 5/16-18 wall/ceiling bracket attachment points  
 (4) 5/16-18 threaded inserts  
 (1) 1-3/8 in. stand socket  
**Grille:** 16 gauge perforated steel, black powder coated  
**Required Accessories:** None  
**Supplied Accessories:** None  
**Optional Accessories:** None  
**Dimensions (including corner protectors):**  
 Height: 26.9 in. / 684 mm  
 Width (front): 20.3 in. / 515 mm  
 Width (rear): 13.7 in. / 347 mm  
 Depth: 18.2 in. / 463 mm  
**Weight:** 68.5 lb. / 31.1 kg  
**Shipping Weight:** 77.5 lb. / 35.2 kg



## APPLICATIONS:

- Sound Reinforcement / Portable PA
- Clubs
- Houses of Worship
- Sport Facilities & Health Clubs
- Industrial A/V
- Keyboard Systems

## FEATURES:

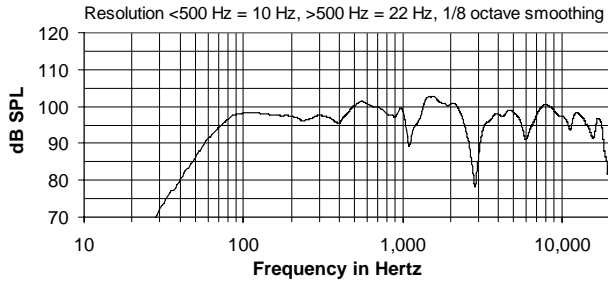
- 1" Titanium HF Driver
- Switchable Passive / Biamp Modes
- HF Level Switch
- PowerSense™ DDP Circuit with Front/Rear Indicators
- Trapezoidal Enclosure for Arraying
- Steel Bar-Handles and Input Panel
- Black-Carpeted Exterior

## DESCRIPTION

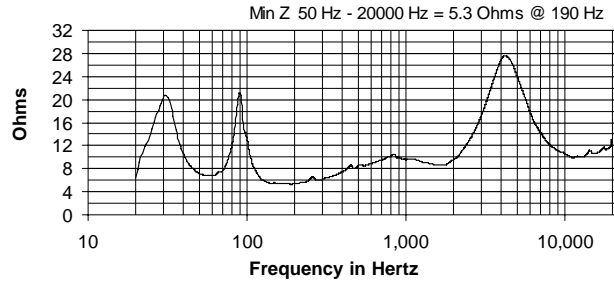
The XLT43 is a small and versatile two-way full-range bass reflex loudspeaker system engineered for multiple uses in club and performance public address. Availability of both captive rigging points and provision for a stand adapter allow this system to be used effectively in both portable and installed situations. The black-carpeted OSB enclosure and black perforated steel grille present an attractive and rugged package. Features an over-drive indicator light and a passive / biamp switch on the input panel, PowerSense protection circuitry and a Ferrofluid cooled woofer. Five year warranty.

- 1. Sensitivity:** Free field pink noise measurement at 20 feet (6.1m) at 25% power; extrapolated to 1 meter and an input of 2.83 volts RMS.
- 2. Watts:** All wattage figures are calculated using the rated nominal impedance.

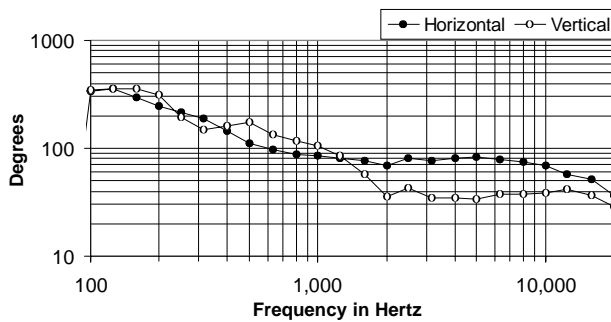
**FREQUENCY RESPONSE**



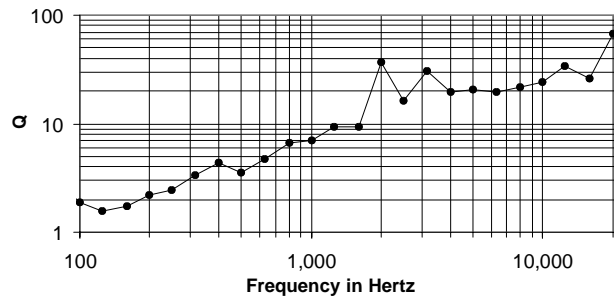
**IMPEDANCE**



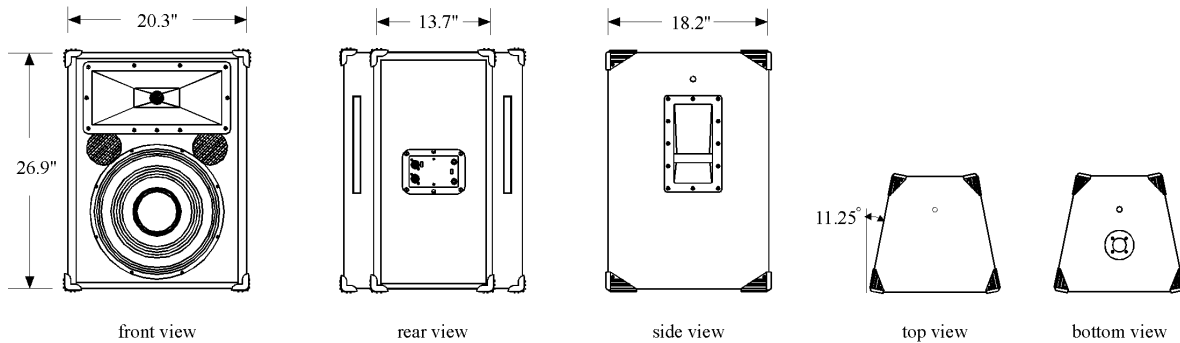
**BEAMWIDTH**



**AXIAL Q**



**DIMENSIONS**



**ARCHITECTS' AND ENGINEERS' SPECIFICATIONS**

The loudspeaker system shall be a two-way, full-range bass reflex trapezoidal design with one 15 in. Ferrofluid-cooled woofer and one 1 in. exit HF driver with a titanium diaphragm mounted to a 90° HF fiberglass horn. Drivers shall be connected to an integral crossover with a crossover frequency of 2 kHz and integral over-current protection circuitry using high positive current coefficient resistors. There shall be two NL4MP connectors and two 1/4" phone jack connectors with a switch for passive or bi-amplified connection and rear-facing LED over-power indicator light. The loudspeaker enclosure shall be black carpeted Oriented Strand Board (OSB) with a 16 gauge perforated steel grille. The system shall have an amplitude response of 50 Hz to 18 kHz (+/- 5 dB), input capability of 40V RMS, 98 dB sensitivity at one meter and 2.83V / 8 ohms nominal impedance. The nominal dispersion shall be 80° H x 35° V from 2 kHz to 10 kHz. The loudspeaker shall be 26.9 in. (684 mm) H x 20.3 in. (515 mm) W (front) x 13.7 in. (347 mm) W (rear) x 18.2 in. (463 mm) D and weigh 68.5 lbs (31.1 kg).

Specifications subject to change without notice.

XLT43 Page 2 of 2