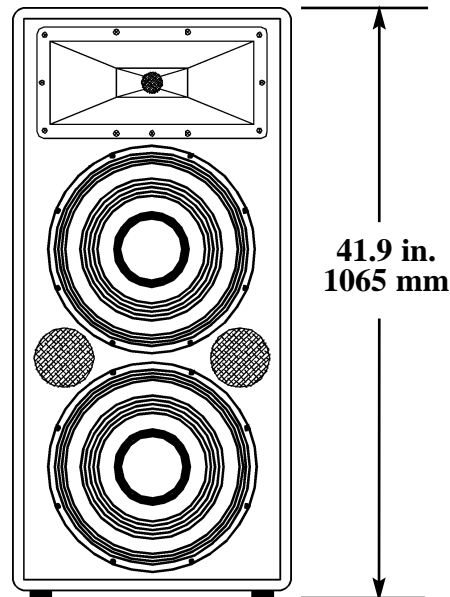


SPECIFICATIONS (See notes 1 and 2)

Loudspeaker Type:	2-way, Full-range, bass ported
Operating Range:	50 Hz - 18 kHz 50 Hz - 18 kHz (+/-5dB)
Max Input (Passive):	400W continuous, 1000W Program 40 volts RMS, 89 volts momentary peak
Recommended Power Amplifier:	830W to 1200W @ 4 Ohms
Max Inputs (Biamp):	LF: (Same as for Passive mode) Recommended LF Power Amp: (Same as for Passive mode) HF: 50W continuous, 125W program 20 volts RMS, 45 volts momentary peak Recommended Power Amplifier: 100W to 150W @ 8 Ohms
Sensitivity 1W/1m:	98 dB SPL (50 Hz - 16 kHz 1/3 octave bands) 98 dB SPL (250 Hz - 4 kHz speech range)
Maximum Output:	124 dB SPL / 131 dB SPL (peak)
Nominal Impedance (passive):	4 Ohms
Min Impedance:	3.2 Ohms @ 145 Hz
Nominal Impedances (Biamp):	LF: 4 Ohms, HF: 8 Ohms
Nominal -6 dB Beamwidth:	80° H (+0° / -39°, 2 kHz - 10 kHz) 35° V (+1° / -19°, 2 kHz - 10 kHz)
Axial Q / DI:	26.1 / 14.2, 2 kHz - 10 kHz
Crossover Frequency:	1.8 kHz
Recommended Signal Processing:	40 Hz high pass filter
Drivers:	LF (2) 15", Ferrofluid-cooled HF (1) 1" exit, titanium diaphragm
Driver Protection:	PowerSense™ DDP
Input Connection:	(2) Neutrik NL4MP (2) 1/4 inch jacks
Controls:	Passive / Biamp switch 2 position HF level switch
Enclosure:	13-ply 18 mm Baltic birch, Polane painted
Enclosure Hardware:	(2) Steel recessed bar-handles (4) Heavy-duty rubber feet
Mounting / Rigging Provisions:	(6) 3/8-16 rigging points, W.L.L. 150 lb. vertical pull each
Grille:	16 gauge perforated steel, black powder coated
Required Accessories:	None
Supplied Accessories:	None
Optional Accessories:	EYBLTKIT: (4) 3/8-16 forged eyebolt
Dimensions:	Height: 41.9 in./1065 mm (41.5 in. / 1054 mm w/o feet) Width (front): 19.75 in. / 502 mm Width (rear): 13 in. / 331 mm Depth: 17.9 in. / 455 mm
Weight:	95 lb. / 43.1 kg
Shipping Weight:	105 lb. / 47.4 kg



APPLICATIONS:

- Theatres / Auditoria / Houses of Worship
- Sport Facilities & Health Clubs
- Clubs
- A/V Systems

FEATURES:

- 1" Titanium HF Driver with HF Level Switch
- Ferrofluid-cooled Dual 15" LF
- Tall Trapezoidal Enclosure For HF Projection
- Switchable Passive / Biamp Modes
- PowerSense™ DDP Circuit with Front/Rear Indicators
- Steel Bar-Handles and Input Panel
- Black Paint Exterior

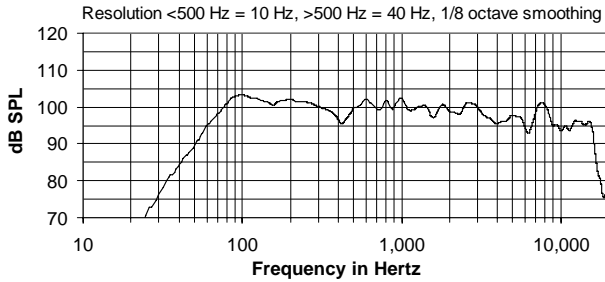
DESCRIPTION

The XLT47E is a versatile, two-way full-range bass reflex loudspeaker system with two Ferrofluid-cooled 15" LF drivers engineered for use in medium-sized club and performance applications. The black-painted 13-ply Baltic birch enclosure and black perforated steel grille present an attractive package. Its 42" height allows sound to project over the audience in many situations that would require a stand. Features a over-drive indicator light and a passive / biamp switch on the input panel, PowerSense protection circuitry and a Ferrofluid cooled woofer. Five year warranty.

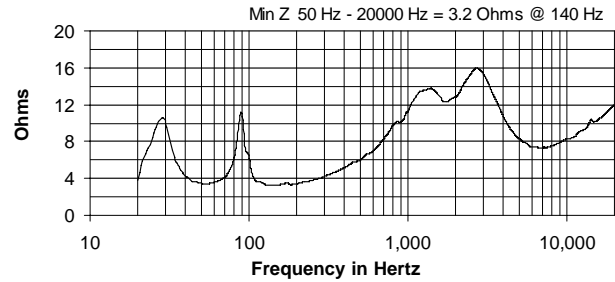
1. Sensitivity: Free field pink noise measurement at 20 ft / 6.1 m at 25% power; extrapolated to 1 meter and an input of 2 volts RMS.

2. Watts: All wattage figures are calculated using the rated nominal impedance.

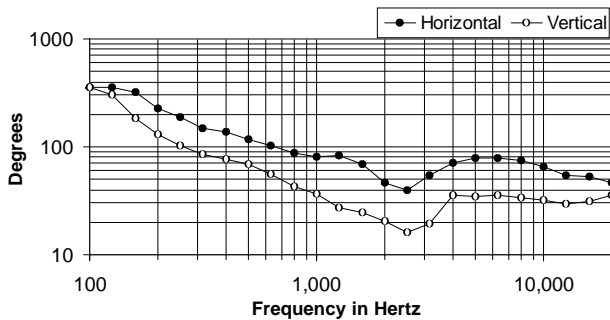
FREQUENCY RESPONSE



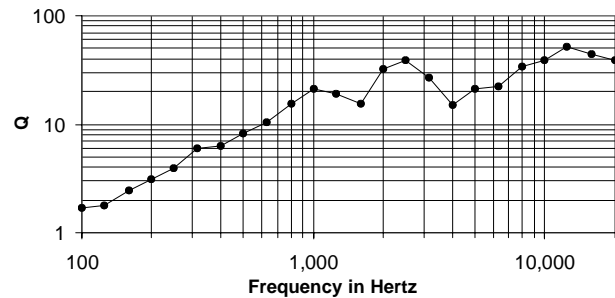
IMPEDANCE



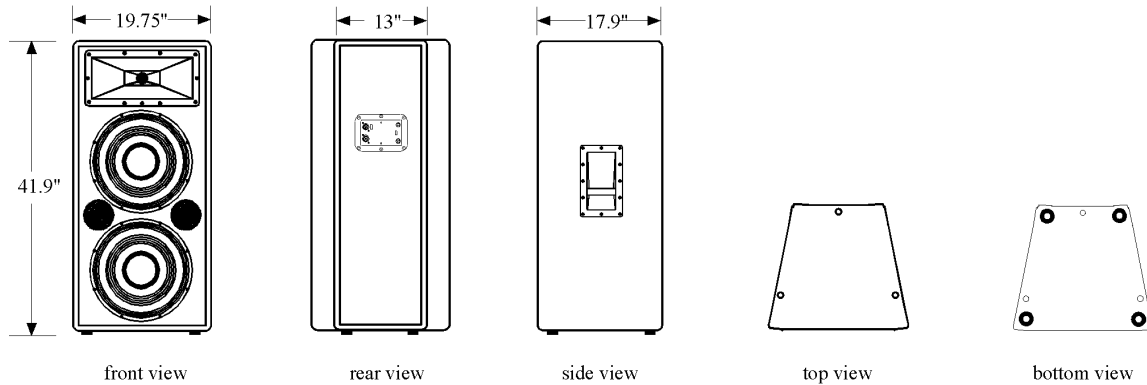
BEAMWIDTH



AXIAL Q



DIMENSIONS



ARCHITECTS' AND ENGINEERS' SPECIFICATIONS

The loudspeaker system shall be a two-way, full-range bass reflex trapezoidal design with two 15 in. Ferrofluid-cooled woofers and one 1 in. exit HF driver with a titanium diaphragm mounted to a 90° HF fiberglass horn. Drivers shall be connected to an integral crossover with a crossover frequency of 2 kHz and integral over-current protection circuitry using high positive current coefficient resistors. There shall be two NL4MP connectors and two 1/4" phone jack connectors with a switch for passive or bi-amplified connection and rear-facing LED over-power indicator light. The loudspeaker enclosure shall be 13-ply Baltic birch plywood with a 10 gauge perforated steel grille, finished with black paint. The system shall have an amplitude response of 50 Hz to 18 kHz (+/- 5 dB), input capability of 40V RMS, 98 [99] dB sensitivity at one meter and 2V / 4 ohms nominal impedance. The nominal dispersion shall be 80°H x 35° V from 2 kHz to 10 kHz. The loudspeaker shall be 41.9 in. (1065 mm) H x 19.75 in. (502 mm) W (front) x 13 in. (331 mm) W (rear) x 17.9 in. (455 mm) D and weigh 95 lbs (43.1 kg).