

## SPECIFICATIONS (See notes 1 and 2)

**Loudspeaker Type:** 2-way, Stage monitor, bass ported

**Operating Range:** 50 Hz - 18 kHz, 50 Hz - 18 kHz (+/-5dB)

**Max Input (Passive):**

200W continuous, 500W program

40 volts RMS, 89 volts momentary peak

**Recommended Power Amp:**

420W to 600W @ 8 Ohms

**Max Inputs (Biamp):**

LF:(Same as for Passive mode)

Recommended LF Power Amp: (Same as for Passive mode)

HF:50W continuous, 125W program

20 volts RMS, 45 volts momentary peak

Recommended HF Power Amp: 100W to 150W @ 8 Ohms

**Sensitivity 1W/1m:** 98dB SPL (63 Hz - 16 kHz 1/3 octave bands)

**Maximum Output:** 121 dB SPL / 128 dB SPL (peak)

**Nominal Impedance (passive):** 8 Ohms

**Min Impedance:** 5.5 Ohms @ 200 Hz

**Nominal Impedances (Biamp):** LF: 8 Ohms, HF: 8 Ohms

**Nominal -6dB Beamwidth:**

80° H (+0° / -26°, 2 kHz - 10 kHz)

35° V (+16° / -9°, 2 kHz - 10 kHz)

**Axial Q / DI:**

21.2 / 13.3, 2 kHz - 10 kHz

**Crossover Frequency:** 2 kHz

**Recommended Signal Processing:** 40 Hz high pass filter

**Drivers:**

LF (1) 15", Ferrofluid-cooled

HF (1) 1" exit, titanium diaphragm

**Driver Protection:** PowerSense™ DDP

**Input Connection:** (2) Neutrik NL4MP, (2) 1/4 in.jack

**Controls:** Passive / Biamp switch, 2 position HF level switch

**Enclosure:** Black carpet covered Oriented Strand Board

**Enclosure Hardware:**

(6) Corner protectors

(2) Steel recessed bar handles

**Mounting / Rigging Provisions:**

(2) 5/16-18 mounting points

(2) 5/16-18 stand adapter attachment points

**Grille:** 16 gauge perforated steel, black powder coated

**Required Accessories:** None

**Supplied Accessories:** None

**Optional Accessories:** CSSUPKIT: 2 steel straps for hanging

**Dimensions (in normal operating position):**

Height: 19.3 in. / 490 mm

Width: 20.3 in. / 515 mm

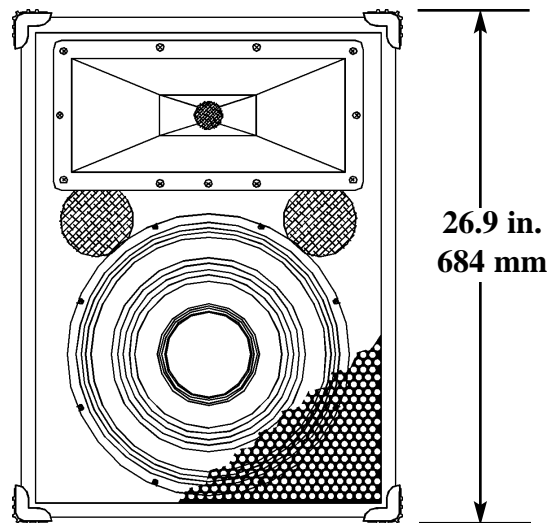
Depth: 31.5 in. / 800 mm

**Weight:** 62.5 lb. / 28.4 kg

**Shipping Weight:** 70.5 lb. / 32 kg

**1. Sensitivity:** Free field pink noise measurement at 20 ft / 6.1 m at 25% power; extrapolated to 1 meter and an input of 2.83 volts RMS.

**2. Watts:** All wattage figures are calculated using the rated nominal impedance.



## APPLICATIONS:

- Theatres / Auditoria
- Live PA
- Houses of Worship
- Sport Facilities & Health Clubs
- Clubs

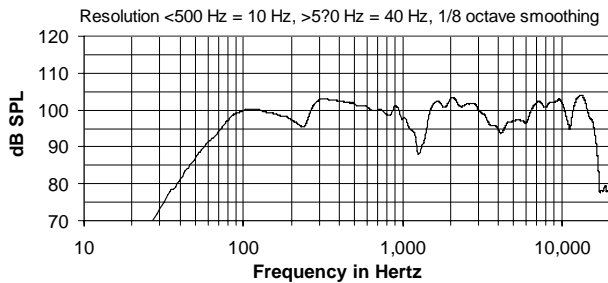
## FEATURES:

- 1" Titanium HF Driver
- Switchable Passive / Biamp Modes
- 2 Position HF Level Switch
- PowerSense™ DDP Circuit with Front & Side Indicators
- Wedge-type Enclosure for Stage Monitoring
- Steel Bar-Handles and Steel Input Panel
- Mounting Points

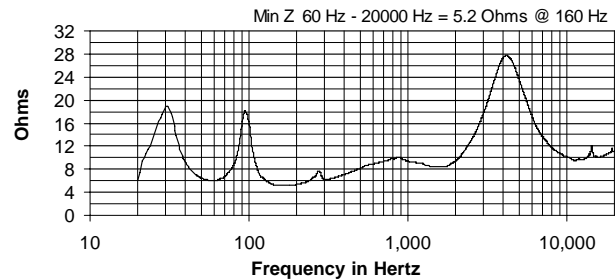
## DESCRIPTION

The XLT48 is a compact high-efficiency wedge-type two-way stage monitor system with clear articulate output and smooth frequency response. It features a 15" Ferrofluid-cooled woofer and a 1" titanium diaphragm compression driver coupled to a 90 x 40 degree Pattern Control horn in a heavily-braced, optimally tuned, bass reflex enclosure. A robust crossover with dynamic driver protection monitors the power to each driver and absorbs excessive power. A real panel LED illuminates when the protection circuitry is active, warning the operator of excessive power input. A Passive / Biamp switch allows easy switch-over between two modes of operation. The black-carpeted OSB enclosure and black perforated steel grille present an attractive and rugged package. Five year limited warranty.

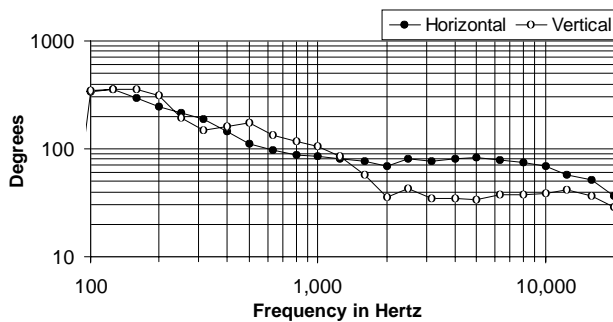
### FREQUENCY RESPONSE



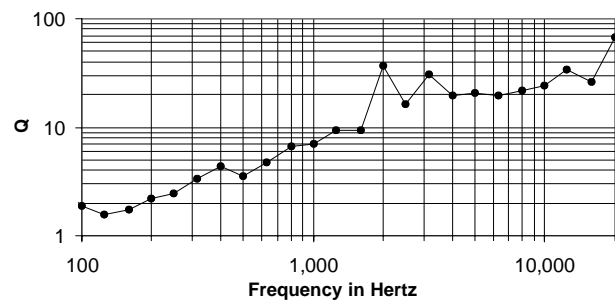
### IMPEDANCE



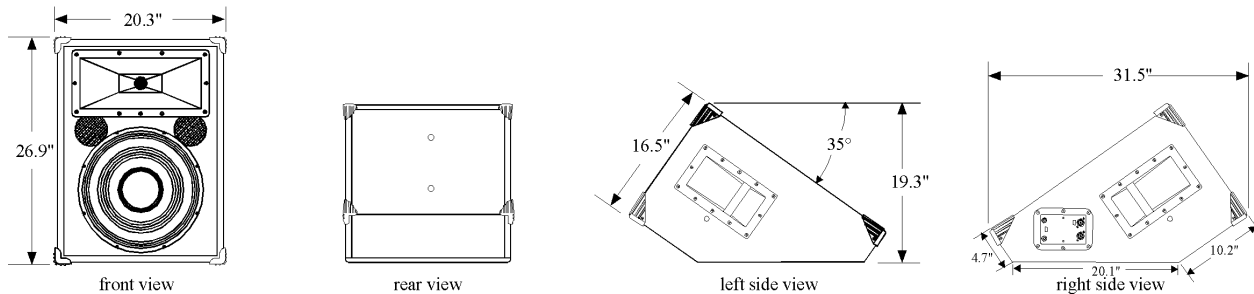
### BEAMWIDTH



### AXIAL Q



### DIMENSIONS



### ARCHITECTS' AND ENGINEERS' SPECIFICATIONS

The loudspeaker system shall be a two-way, full-range wedge-type bass reflex design. The loudspeaker system shall have one 15 in. Ferrofluid-cooled woofer and one 1 in. exit HF driver with a titanium diaphragm mounted to a fiberglass HF horn. Drivers shall be connected to an integral crossover with a crossover frequency of 2 kHz and integral over-current protection circuitry using high positive current coefficient resistors. There shall be two NL4MP connectors and two 1/4" phone jack connectors with a switch for passive or biamplified connection and side-facing LED over-power indicator light. The loudspeaker enclosure shall be black carpeted Oriented Strand Board (OSB) with a 16 gauge perforated steel grille. The system shall have an amplitude response of 50 Hz to 18 kHz (+/- 5 dB), input capability of 40V RMS, 98 dB sensitivity at one meter and 2.83V / 8 ohms nominal impedance. The nominal dispersion shall be 80°H x 35°V from 2 kHz to 10 kHz. The loudspeaker shall be 19.3 in. (490 mm) H x 20.3 in. (515 mm) W x 31.5 in. (800 mm) D and weigh 62.5 lbs (28.4 kg).