

Applications

- ◆ Theatre/Auditoria.
- ◆ Houses of Worship.
- ◆ Dance Clubs/Discotheques.
- ◆ Live Sound Reinforcement.
- ◆ Multi-Use Sports Facilities & Stadiums.
- ◆ Audio Visual.

Features

- ◆ 90° x 40° Horn Pattern.
- ◆ Large format waveguide delivers excellent pattern control.
- ◆ 1.4" (36 mm) Exit / 2.87" (72.2mm) VC HF Device.
- ◆ 8" (205mm) MR Device.
- ◆ 15" (380mm) LF Device.
- ◆ Passive and Biamp Operating Modes.
- ◆ (23) Load-rated M10 Rigging Points.
- ◆ (4) M8 OmniMount™ 240 inserts.
- ◆ Robust Tuf-Coat™ Finish.
- ◆ Dual NL4-compatible locking connectors and Barrier Strip Inputs.

iHP3594 OPTIONS

"W" suffix	White paint finish with white grille and hardware
"U" suffix	Unfinished with black grille and hardware
"P" suffix	Portable version with built-in handles, rubber feet and stacking cups on four recessed corner mounting points
"H" suffix	Horizontal version with HF horn rotated 90°

Description

The iHP3594 is a premium quality, large format, full-range loudspeaker system. The driver complement consists of a 15" (380mm) high power low frequency driver, an 8" (205mm) midrange driver, and a 1.4" (36mm) exit / 2.87" (72.2 mm) edgewound voice coil compression driver. The large format horn flare delivers well controlled 90° x 40° dispersion, and utilizes high order crossovers to minimize band overlap.

The well controlled off-axis response enhances system performance when combined with other iBOX Mid/Hi and subwoofer elements in clusters / arrays. The i215LVS and i118S subwoofer elements share the same cabinet profile and have been designed for integration with the iHP3594 for aesthetically pleasing clusters / arrays.

The iHP3594 can be used in both passive and biamp operating modes. The passive mode is designed to deliver outstanding performance without the use of a processor, while the biamp mode allows greater system flexibility. A compatible processor can be used to enhance the LF response, provide a crossover function for use with iBOX subwoofer elements, and much more.

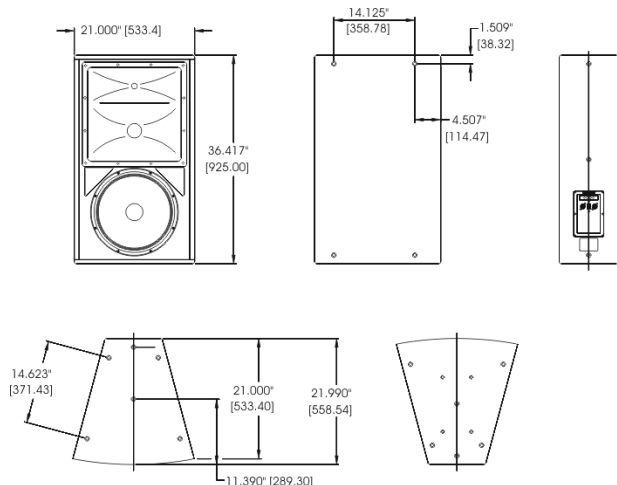
The rugged 13-ply Baltic birch enclosure is finished with Community's robust, smooth Tuf-Coat™ finish. The enclosure also incorporates 23 load-rated M10 rigging points and 4 M8 OmniMount™ 240 inserts in the rear of the enclosure. Simple and flexible installation is achieved using optional hardware from an extensive range designed specifically for the iBOX series. See the iBOX Hardware Guide for more details.

iHP3594

15-INCH, LARGE FORMAT 3-WAY, INSTALLATION LOUDSPEAKER

Community
True to Specification

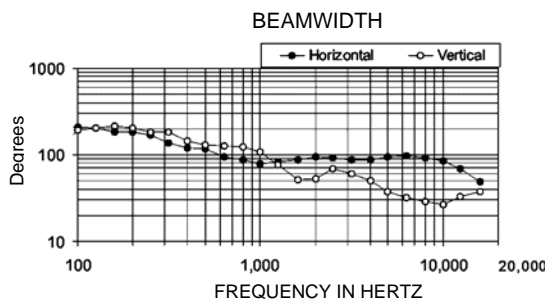
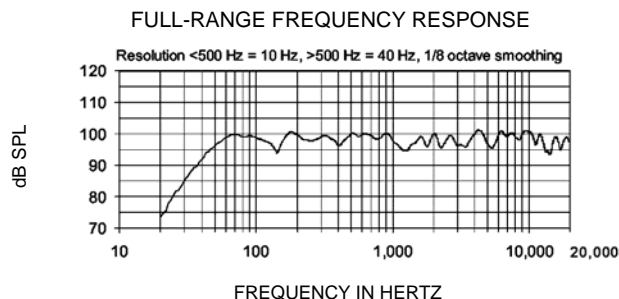
Line Drawings and Specifications



Loudspeaker Type:	3-way full-range, bass ported
Operating Range:	45 Hz - 18 kHz 80 Hz - 16 kHz (± 2.4 dB)
Max Input Ratings (Passive):	RMS 600W, Program 1500W
Max Input Ratings (Biamp):	LF: RMS 600W, Program 1500W @ 8 Ohms MF/HF: RMS 100W, Program 250W @ 8 Ohms
Rec. Power Amplifier (Passive):	1,250W to 1,800W @ 8 Ohms
Rec. Power Amplifier (Biamp):	LF: 1,250W to 1,800W @ 8 Ohms MF/HF: 210W to 300W @ 8 Ohms
Sensitivity 1W/1m:	99 dB SPL (63 Hz - 16 kHz 1/3 octave bands) 99 dB SPL (250 Hz - 4 kHz speech range)
Maximum Output:	127 dB SPL / 134 dB SPL (peak)
Nominal Impedance (Passive):	8 Ohms
Min Impedance:	4.6 Ohms @ 2470 Hz
Nominal Impedances (Biamp):	LF: 8 Ohms HF: 8 Ohms
Nominal -6dB Beamwidth:	90° H x 40° V
Crossover Frequencies:	500 Hz / 2 kHz
Recommended Signal Processing:	50 Hz high pass filter
Drivers:	LF (1) 15" MF (1) 8" HF (1) 1.4" Exit
Input Connection:	(2) NL4-compatible locking connectors (4) Terminal Barrier Strip
Controls:	Operating Mode Switch (Biamp / Passive)
Enclosure:	13-ply Baltic birch, Tuf-Coat™ finish
Finish:	Black, white and unfinished versions available. Contact factory for finish details.
Mounting / Rigging Provisions:	(23) M10 flying / rigging inserts (4) M8 OmniMount™ 240 Inserts
Grille:	16 gauge perforated steel
Required Accessory:	Electronic high pass filter
Optional Accessories:	M10EYBLKIT 10 mm eyebolt kit Mounting / Rigging hardware - See the iBOX Hardware Guide for more information.
Dimensions:	Height: 36.42 in. / 925 mm Width (front): 21 in. / 533 mm Width (rear): 9.9 in / 251 mm Depth: 21.99 in. / 559 mm
Weight:	123 lbs. / 55.8 kg
Shipping Weight:	136 lbs. / 61.7 kg

- Sensitivity:** Free field pink noise measurement at 40 ft / 12.2 m at 60% power; extrapolated to 1 meter and an input of 2.83 volts RMS.
- Watts:** All wattage figures are calculated using the rated nominal impedance.

Measurements



Architects

The loudspeaker system shall be a three-way, full-range bass reflex trapezoidal design with one 15 in. (380 mm) Cool-Coil™ LF driver, one 8 in. (205 mm) MR driver, and one 1.4 in. exit HF driver with a titanium diaphragm mounted to a 90° x 40° HF fiberglass horn. Drivers shall be connected to an integral crossover with an LF-MF crossover frequency of 500 Hz and an MF-HF crossover frequency of 2 kHz. During Biamp operation the MF-HF crossover is still in circuit. There shall be one four-terminal barrier strip and two NL4-compatible locking connectors. The terminal panel shall have a switch to select Biamp or Passive operating modes. The loudspeaker enclosure shall be 13-ply Baltic birch plywood and shall be fitted with 23 x M10 and 4 X M8 flying/rigging inserts and finished with Tuf-Coat™. The front of the enclosure shall be fitted with a 16 gauge perforated steel grille. The system shall have an amplitude response of 80 Hz to 16 kHz (± 2.4 dB), input capability of 69V RMS, 99 dB sensitivity at one meter and 2.83V / 8 ohms nominal impedance. The nominal dispersion shall be 90° H x 40° V from 1.6 kHz to 12 kHz. The loudspeaker shall be 36.42 in. (925 mm) H x 21 in. (533 mm) W(front) x 9.9 in. (251 mm) W(rear) x 21.99 in. (559mm) D and weigh 123 lbs (55.8 kg).

Community Professional Loudspeakers
333 East Fifth Street, Chester, PA 19013-4511 USA
610-876-3400 • Fax 610-874-0190
www.communitypro.com

